



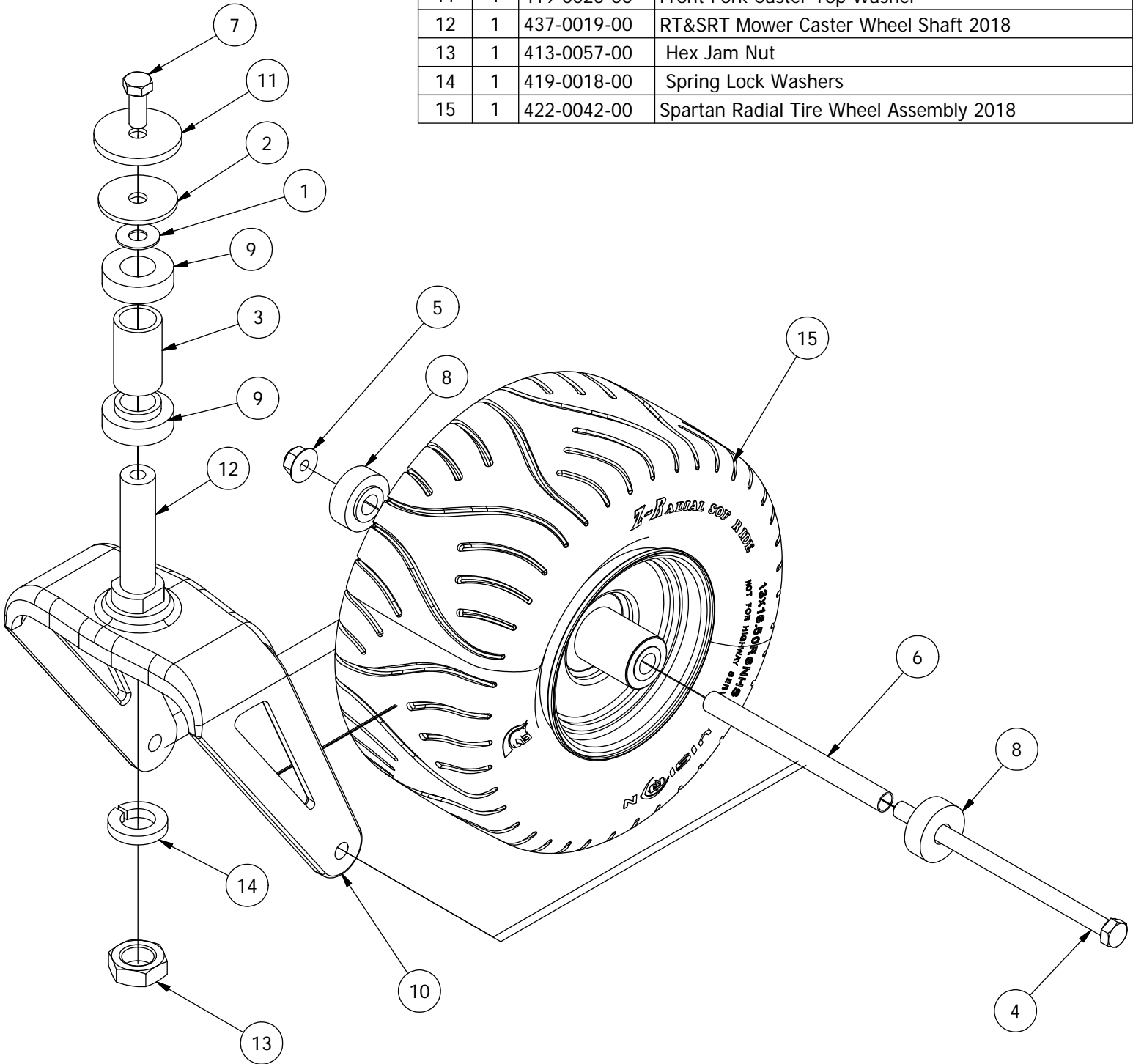
**RT HD Mower Parts Manual  
2020**

# TABLE OF CONTENTS

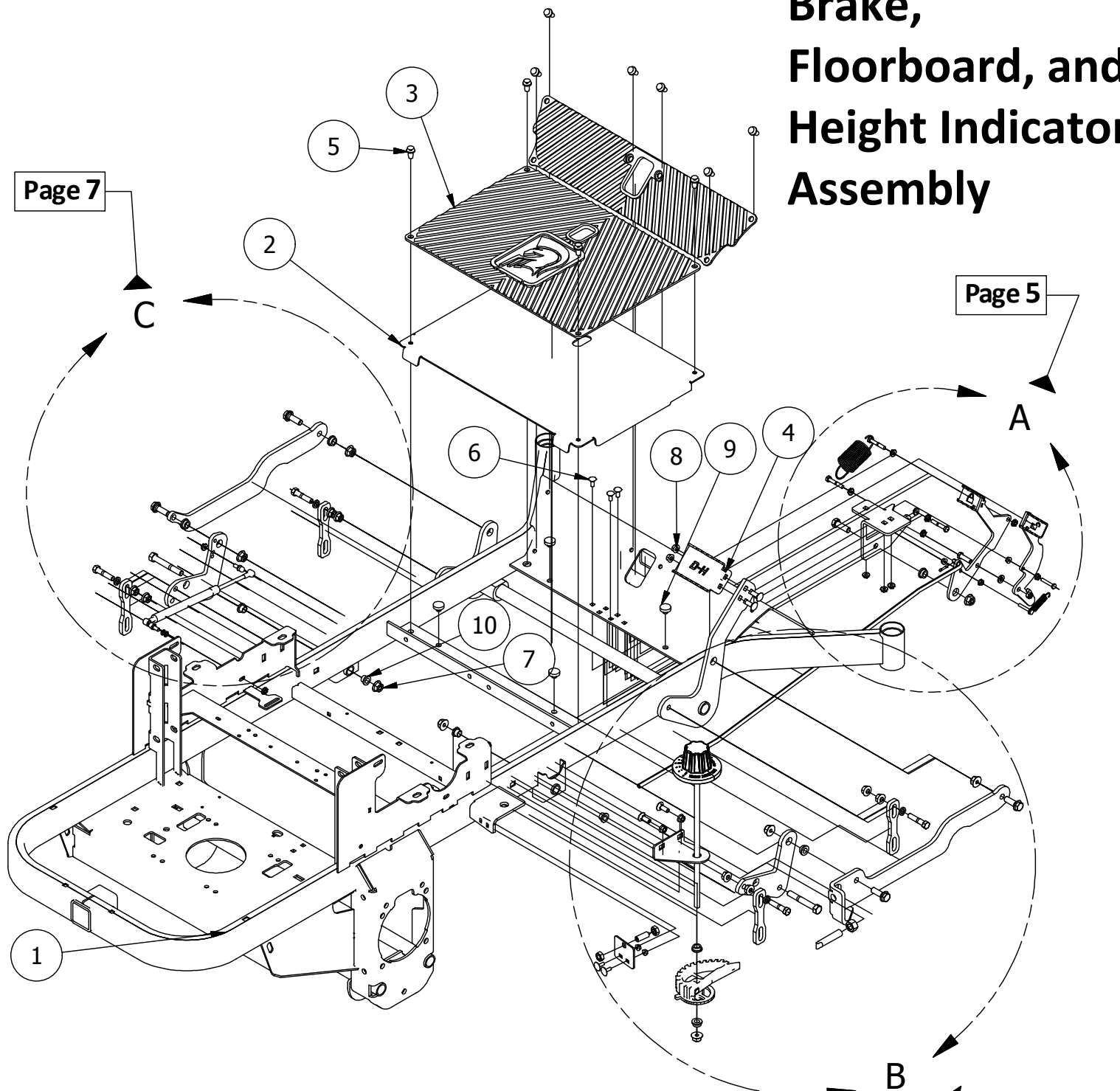
<b>FRONT FORK</b> .....	<b>3</b>
<b>BRAKE, FLOORBOARD, AND HEIGHT INDICATOR ASSEMBLY</b> .....	<b>4-7</b>
BRAKE ASSEMBLY .....	5
HEIGHT INDICATOR ASSEMBLY .....	6-7
<b>BATTERY AND SEAT SUSPENSION ASSEMBLY</b> .....	<b>8-9</b>
<b>DRIVE ARM ASSEMBLY</b> .....	<b>10-11</b>
<b>SEAT BASE AND PUMP IDLER ASSEMBLY</b> .....	<b>12-14</b>
PUMP IDLER ASSEMBLY .....	14
<b>GAS TANK ASSEMBLY</b> .....	<b>15-16</b>
<b>DECK ASSEMBLIES</b> .....	<b>17-25</b>
54" DECK ASSEMBLY 1 .....	17-18
54" DECK ASSEMBLY 2 .....	19-20
61" DECK ASSEMBLY 1 .....	21-22
61" DECK ASSEMBLY 2 .....	23-24
72" DECK ASSEMBLY 1 .....	25-26
72" DECK ASSEMBLY 2 .....	27-28
DECK SPINDLE ASSEMBLY .....	29
<b>TRANSMISSION ASSEMBLY</b> .....	<b>30-31</b>
<b>KAWASAKI FX850</b> .....	<b>32</b>
<b>B&amp;S 27 HP</b> .....	<b>33</b>
<b>VANGUARD 32/36HP</b> .....	<b>34</b>
<b>DECALS</b> .....	<b>35</b>

# Front Fork Assembly

Front Fork Assembly			
ITEM	QTY	PART NUMBER	DESCRIPTION
1	1	419-0002-00	1/2 FENDER WASHER 1-1/4" OD ZINC
2	1	426-0006-00	Mower Caster Shaft Washer
3	1	425-0011-00	Mower Bearing Retainer Spacer
4	1	418-0003-00	1/2-13 X 8-1/2 HEX C/S GR 5 ZINC YELLOW
5	1	413-0002-00	1/2-13 NYLON INSERT FLANGE LOCKNUT ZC YELLOW
6	1	425-0010-00	Mower Caster Fork Wheel Spacer
7	1	418-0006-00	1/2-20 X 1-1/4 HEX C/S GR 5 ZINC
8	2	410-0014-00	Mower Caster Wheel Bearing
9	2	410-0006-00	Mower Caster Shaft Bearing
10	1	423-0001-00	RT&SRT Caster Wheel Fork 2018
11	1	419-0025-00	Front Fork Caster Top Washer
12	1	437-0019-00	RT&SRT Mower Caster Wheel Shaft 2018
13	1	413-0057-00	Hex Jam Nut
14	1	419-0018-00	Spring Lock Washers
15	1	422-0042-00	Spartan Radial Tire Wheel Assembly 2018



# Brake, Floorboard, and Height Indicator Assembly



Page 7

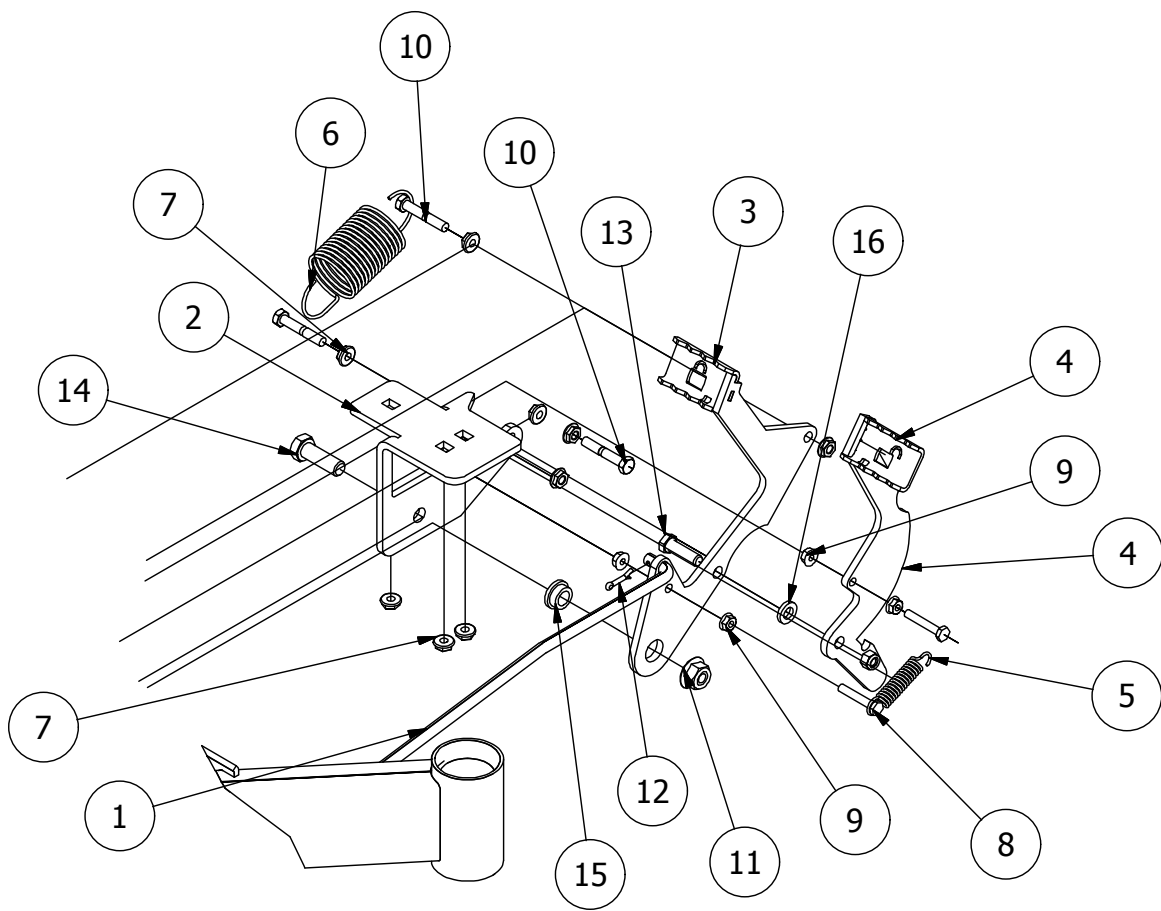
Page 5

Page 6

## Parts List

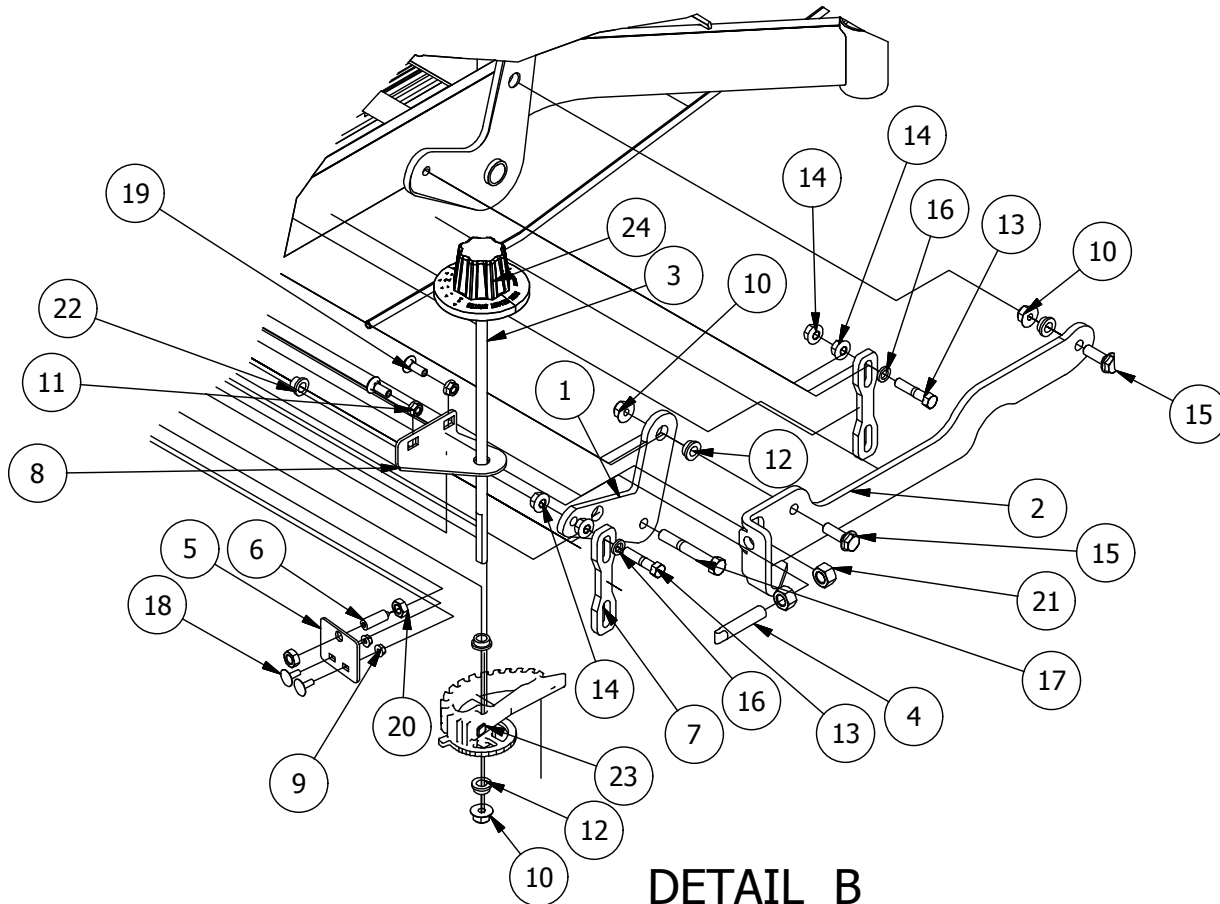
ITEM	QTY	PART NUMBER	DESCRIPTION
1	1	490-0007-00	Mower RT Frame Assembly
2	1	439-0007-00	Mower Floorboard
3	1	481-0006-00	2017 Mower Logo Floor Mat Except for RZ
4	1	439-0059-00	Mower Deck Height Foot Pedal
5	10	414-0002-00	8MM PUSH TYPE RETAINER NYLON BLACK
6	3	418-0008-00	5/16-18 X 3/4 CARRIAGE BOLT ZINC
7	8	413-0002-00	1/2-13 NYLON INSERT FLANGE LOCKNUT ZC YELLOW
8	4	413-0004-00	3/8-16 HEX FLANGE NUT W/SERR ZINC
9	4	429-0002-00	Rubber Bumper
10	4	410-0010-00	1/2" ID X 5/8" OD X 1/2" LENGTH FLANGE BUSHING





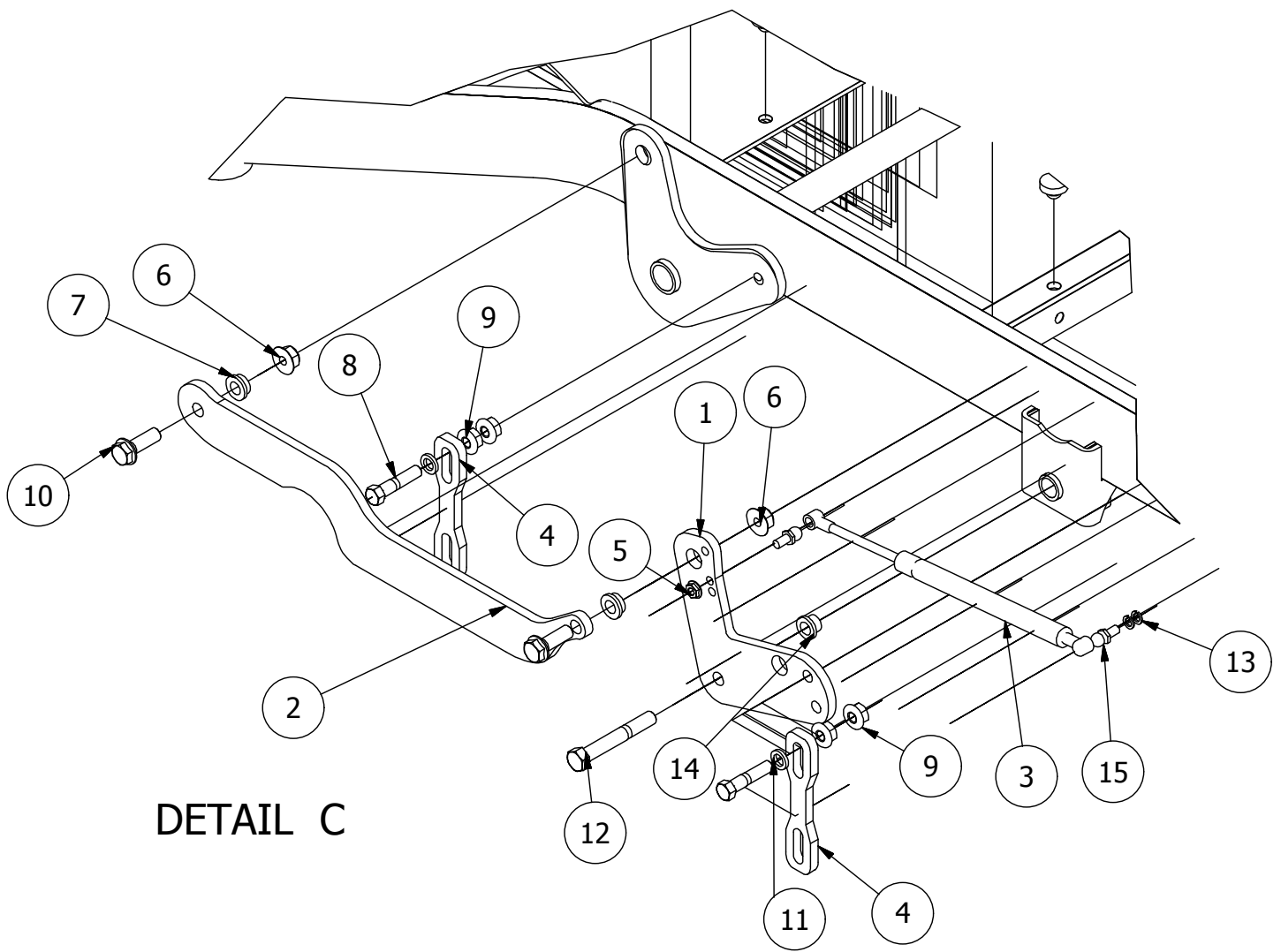
**DETAIL A**

Detail A Parts List			
ITEM	QTY	PART NUMBER	DESCRIPTION
1	1	435-0004-00	MOWER BRAKE LINKAGE
2	1	439-0009-00	Mower Frame Brake Mounting Bracket
3	1	490-0016-00	Mower Brake Lock Lever Assembly
4	1	490-0017-00	Mower Brake Unlock Lever Assembly
5	1	434-0003-00	Brake Pedal Release Spring
6	1	434-0002-00	Brake Pedal Tension Spring
7	9	413-0006-00	5/16-18 HEX FLANGE NUT W/SERR ZINC
8	1	418-0029-00	1/4-20 X 1-1/4 HEX C/S GR 2 ZINC
9	4	413-0023-00	1/4-20 HEX FLANGE NUT W/SERR ZINC
10	3	418-0027-00	5/16-18 X 1-3/4 HEX C/S GR 2 ZINC
11	1	413-0002-00	1/2-13 NYLON INSERT FLANGE LOCKNUT ZC YELLOW
12	1	420-0001-00	1/8 X 3/4 COTTER PIN ZINC
13	1	418-0030-00	3/8-16 X 1-1/4 HEX C/S GR 2 ZINC
14	1	418-0028-00	1/2-13 X 1-1/2 HEX C/S GR 2 ZINC
15	1	410-0009-00	1/2" ID X 3/4" OD X 3/8" LENGTH FLANGE BUSHING
16	1	419-0015-00	3/8" ID X 3/4" OD X 1/8" THK BRONZE WASHER



**DETAIL B**

Detail B Parts List			
ITEM	QTY	PART NUMBER	DESCRIPTION
1	1	431-0004-00	Deck Height Brkt Right side
2	1	435-0008-00	Mower Deck Height Arm Right Link
3	1	437-0003-00	Mower Deck Height Selector Shaft
4	1	444-0001-00	Mower HEIGHT SELECTOR CAM PIN
5	1	426-0004-00	Mower Detent Spring Plunger Mounting Plate
6	1	434-0006-00	Deck Height Detent Spring Plunger
7	2	435-0007-00	Mower Deck Link
8	1	439-0074-00	Mower Deck Height Indicator Rod Bracket
9	2	413-0023-00	1/4-20 HEX FLANGE NUT W/SERR ZINC
10	3	413-0002-00	1/2-13 NYLON INSERT FLANGE LOCKNUT ZC YELLOW
11	2	413-0004-00	3/8-16 HEX FLANGE NUT W/SERR ZINC
12	3	410-0009-00	1/2" ID X 3/4" OD X 3/8" LENGTH FLANGE BUSHING
13	2	418-0046-00	7/16-14 X 2 HEX C/S GR 5 ZINC YELLOW
14	4	413-0011-00	7/16-14 HEX FLANGE NUT W/SERR ZINC YELLOW
15	1	418-0047-00	1/2-13 X 1-1/2 HEX FLANGE BOLT ZINC YELLOW
16	1	419-0010-00	.443 ID X .750 OD X .125 THK NYLON BLACK
17	1	418-0042-00	1/2-13 X 3-1/2 HEX C/S GR 5 ZINC YELLOW
18	2	418-0052-00	1/4-20 X 3/4 CARRIAGE BOLT ZINC
19	2	418-0053-00	3/8-16 X 1 CARRIAGE BOLT ZINC
20	2	413-0037-00	1/2-13 HEX JAM NUT ZINC
21	1	413-0048-00	5/8-11 HEX NUT ZINC YELLOW
22	1	410-0010-00	1/2" ID X 5/8" OD X 1/2" LENGTH FLANGE BUSHING
23	1	490-0045-00	Mower Deck Height Cam Casting
24	1	445-0002-00	Mower Deck Height Control Knob

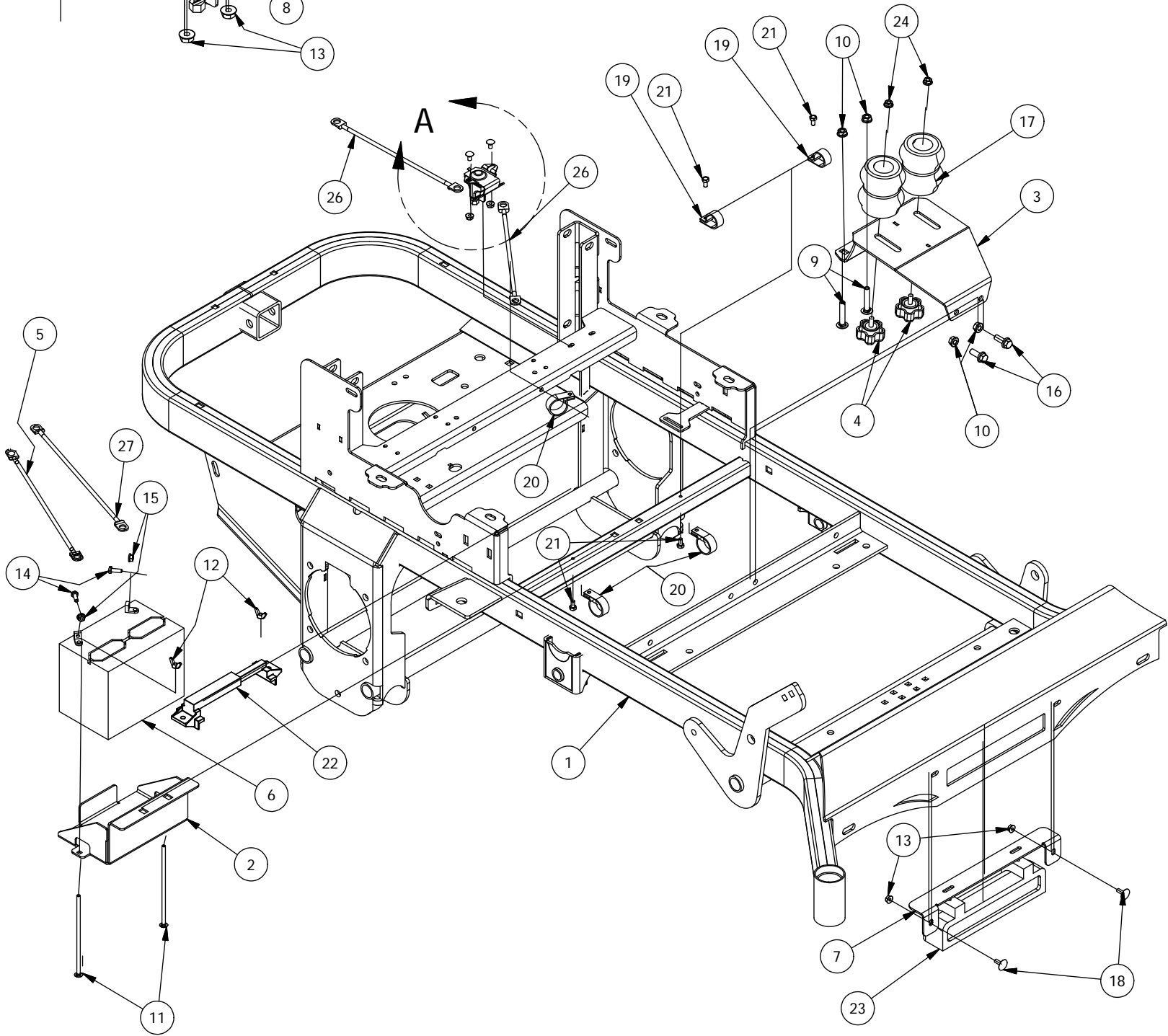


DETAIL C

Parts List			
ITEM	QTY	PART NUMBER	DESCRIPTION
1	1	431-0005-00	Deck Height Brkt Left Actuator side
2	1	435-0009-00	Mower Deck Height Left Link Arm
3	1	434-0001-00	Deck Gas Spring
4	2	435-0007-00	Mower Deck Link
5	1	413-0006-00	5/16-18 HEX FLANGE NUT W/SERR ZINC
6	2	413-0002-00	1/2-13 NYLON INSERT FLANGE LOCKNUT ZC YELLOW
7	2	410-0009-00	1/2" ID X 3/4" OD X 3/8" LENGTH FLANGE BUSHING
8	2	418-0046-00	7/16-14 X 2 HEX C/S GR 5 ZINC YELLOW
9	4	413-0011-00	7/16-14 HEX FLANGE NUT W/SERR ZINC YELLOW
10	2	418-0047-00	1/2-13 X 1-1/2 HEX FLANGE BOLT ZINC YELLOW
11	2	419-0010-00	.443 ID X .750 OD X .125 THK NYLON BLACK
12	1	418-0042-00	1/2-13 X 3-1/2 HEX C/S GR 5 ZINC YELLOW
13	2	419-0009-00	5/16 SPLIT LOCKWASHER ZINC
14	1	410-0010-00	1/2" ID X 5/8" OD X 1/2" LENGTH FLANGE BUSHING
15	2	434-0007-00	Deck Assist Gas Spring Ball Stud

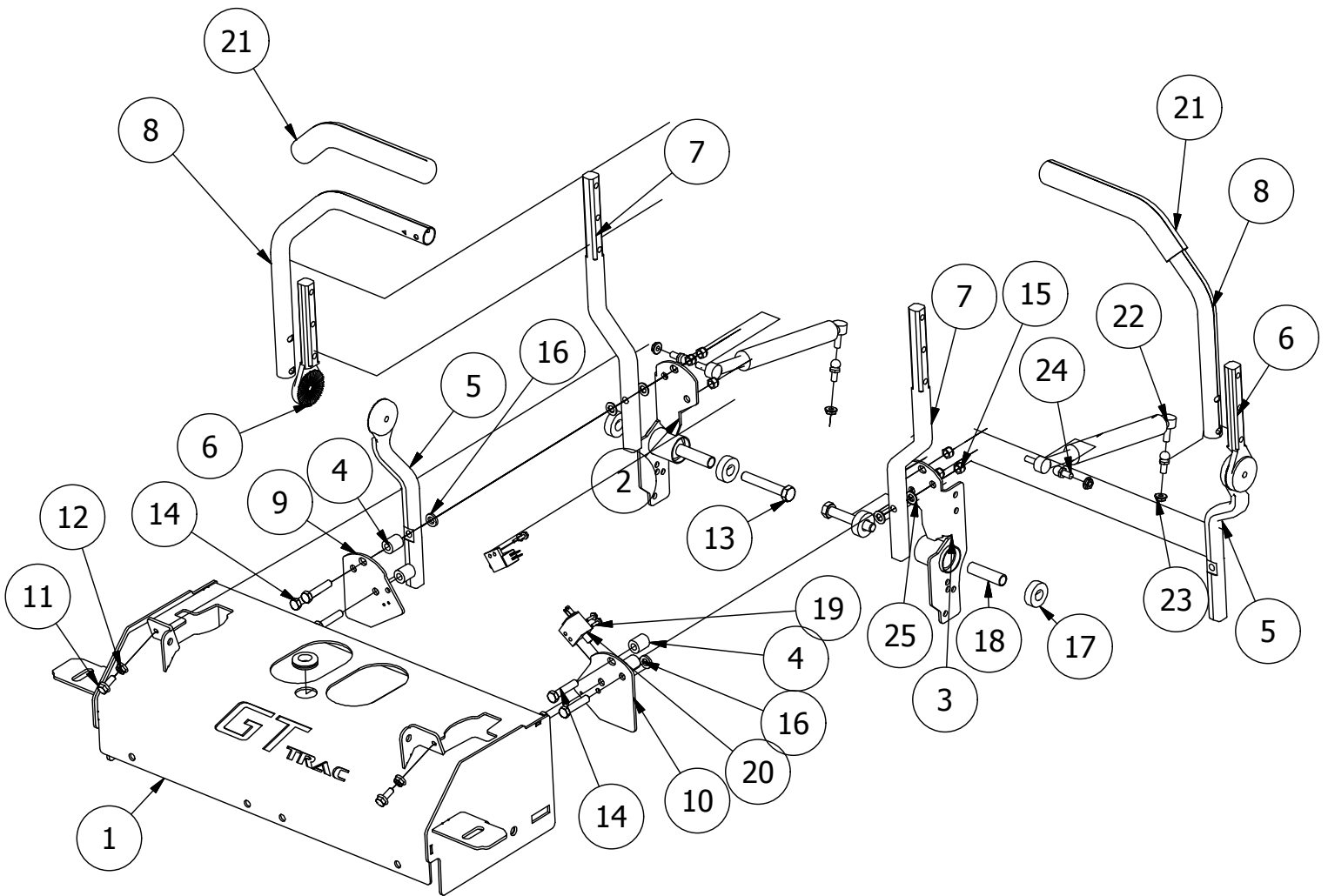
# Battery and Seat Suspension Assembly

## DETAIL A



Battery and Seat Suspension Assembly			
ITEM	QTY	PART NUMBER	DESCRIPTION
1	1	490-0007-00	Mower RT Frame Assembly
2	1	439-0008-00	Mower Battery Box
3	1	490-0021-00	Mower Suspension Seat Bracket Assembly
4	2	445-0001-00	Lobed Knob w/ 5/16"-18 X .750" Stud
5	1	486-0017-00	Mower Negative Battery Cable 28" long
6	1	468-1004-00	12-V Mower Starter Battery
7	1	439-0012-00	Mower LED Light Bracket
8	1	486-0002-00	Mower Starter Solenoid
9	2	418-0033-00	3/8-16 X 2 CARRIAGE BOLT ZINC
10	4	413-0004-00	3/8-16 HEX FLANGE NUT W/SERR ZINC
11	2	418-0034-00	1/4-20 X 7 CARRIAGE BOLT ZINC
12	2	413-0025-00	1/4-20 WING NUT ZINC
13	4	413-0023-00	1/4-20 HEX FLANGE NUT W/SERR ZINC
14	2	418-0035-00	1/4-20 X 3/4 HEX C/S GR 2 ZINC
15	2	413-0026-00	1/4-20 NYLON INSERT FLANGE L/NUT ZINC
16	2	418-0040-00	3/8-16 X 1 HEX FLANGE BOLT GR 8 ZC YELLOW
17	2	487-0003-00	SRT Rear Suspension Elastomer
18	2	418-0026-00	1/4-20 X 3/4 CARRIAGE BOLT ZINC YELLOW
19	2	472-0002-00	1/2" CUSHIONED LOOP CLAMP
20	3	472-0001-00	1-1/4" CHUSHIONED LOOP CLAMP BLACK
21	4	418-0025-00	1/4-20 X 1/2 HWH SLOT TYPE F TCS ZINC
22	1	443-0001-00	Battery Hold Down
23	1	486-0032-00	Mower LED Light Bar
24	2	413-0027-00	5/16-18 NYLON INSERT FLANGE LOCKNUT ZC YELLOW
25	2	418-0031-00	1/4-20 X 1/2 CARRIAGE BOLT ZC YELLOW
26	2	486-0018-00	Mower Positive Battery Cable 12" long
27	1	486-0016-00	Mower Positive Battery Cable 25" long

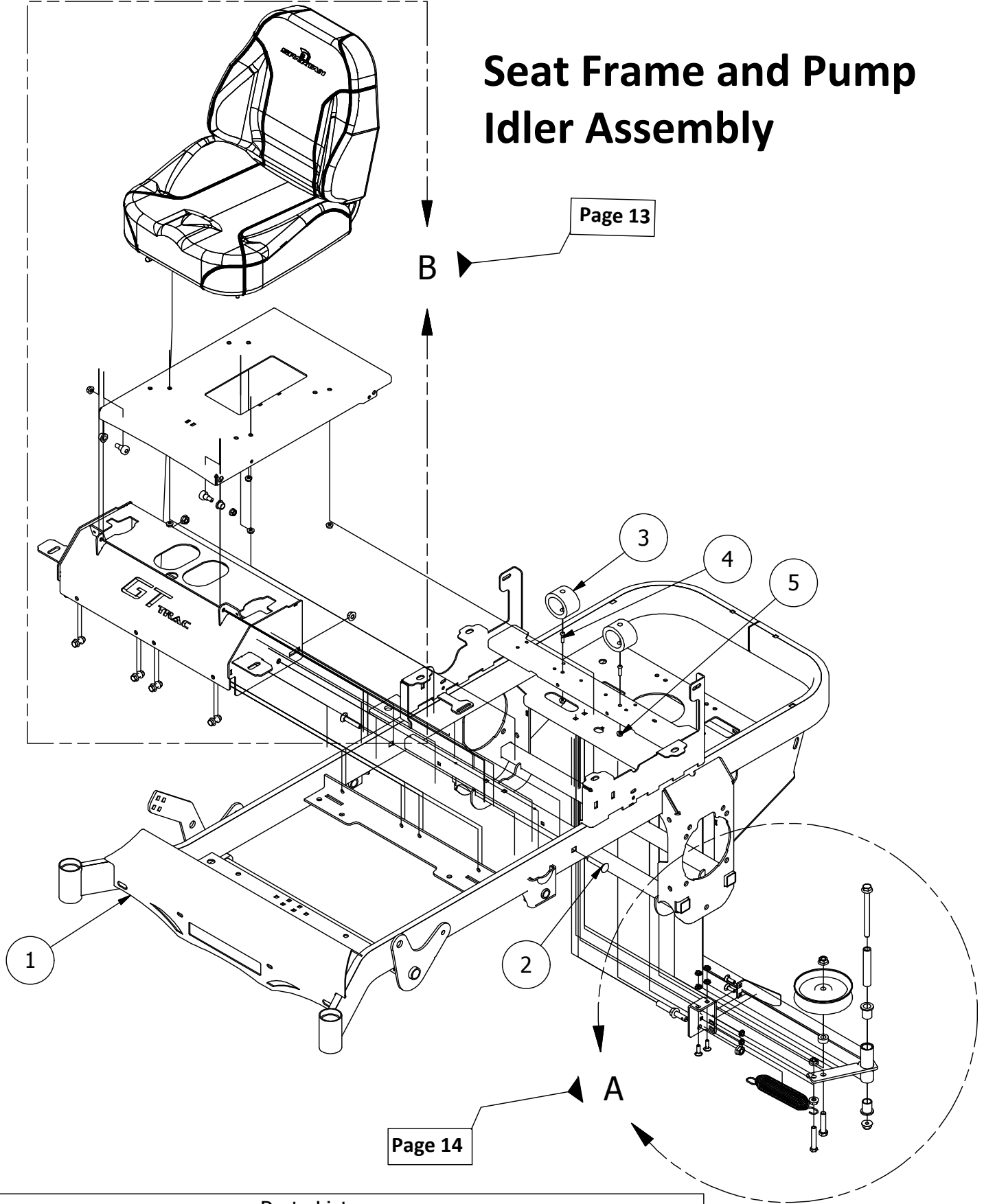
# Drive Arm Assembly



Drive Arm Assembly Parts List

ITEM	QTY	PART NUMBER	DESCRIPTION
1	1	490-0023-00	Mower Seat Base Assembly
2	1	490-0013-00	Mower Right Drive Arm Bracket Assembly
3	1	490-0012-00	Mower Left Drive Arm Bracket Assembly
4	4	425-0003-00	Mower Drive Arm Spacer
5	2	431-0002-00	Height/Pitch Adjustable Lower Drive Arm
6	2	431-0003-00	Height/Pitch Adjustable Upper Drive Arm
7	2	431-0001-00	Height Adjustable Drive Arm
8	2	403-0020-00	Mower Drive Handle Tube
9	1	426-0003-00	Mower Right Control Arm Limit Switch Plate
10	1	426-0002-00	Mower Left Control Arm Limit Switch Plate
11	2	418-0049-00	5/16-18 X 3/4 IND HWH TRI LOB ZINC
12	6	413-0022-00	5/16-18 HEX FLANGE NUT W/SERR ZINC YELLOW
13	2	418-0050-00	1/2-13 X 3 HEX C/S GR 5 ZINC
14	6	418-0051-00	3/8-16 X 1-3/4 HEX C/S GR 2 ZINC
15	6	413-0013-00	3/8-16 NYLON INSERT FLANGE LOCKNUT ZINC
16	4	419-0015-00	3/8" ID X 3/4" OD X 1/8" THK BRONZE WASHER
17	4	410-0005-00	5/8" ID X 1-3/8" OD X 7/16" THK BEARING
18	2	425-0004-00	Mower Drive Arm Hub & Deck Lift Arm Spacer
19	4	418-0032-00	8-32 X 1/2 IND. HWH SLOT TYPE F TCS ZINC
20	2	486-0030-00	Safety Switch
21	2	484-0001-00	Handle Grip
22	2	487-0001-00	Control Arm Damper
23	4	413-0024-00	5/16-18 HEX SERRATED LARGE FLANGE L/NUT ZC
24	4	487-0005-00	Control Arm Damper Ball Stud
25	4	410-0011-00	.375 ID X .750 OD X .062 THK THRUST BEARING OIL-IMPREG BRNZ

# Seat Frame and Pump Idler Assembly

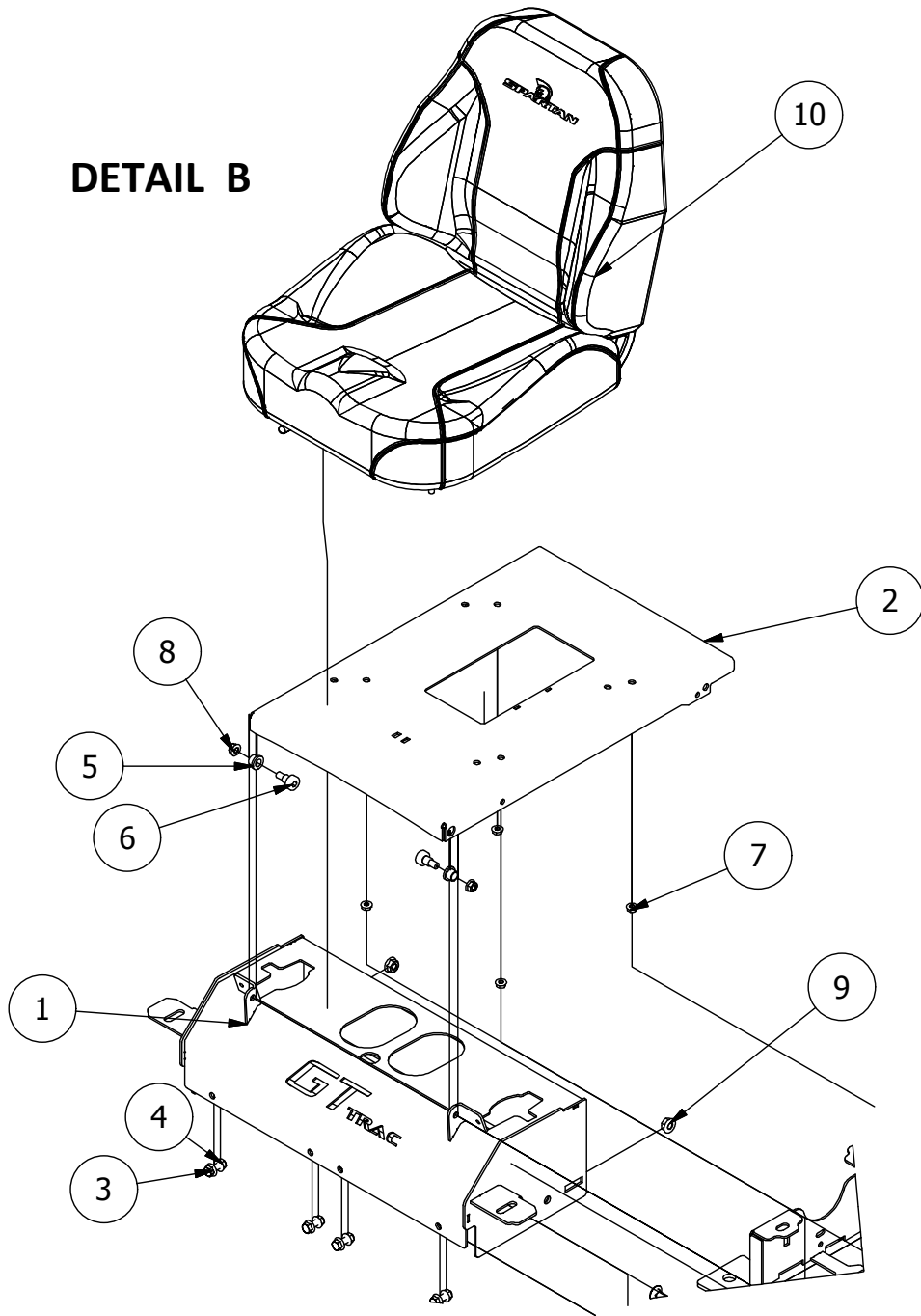


## Parts List

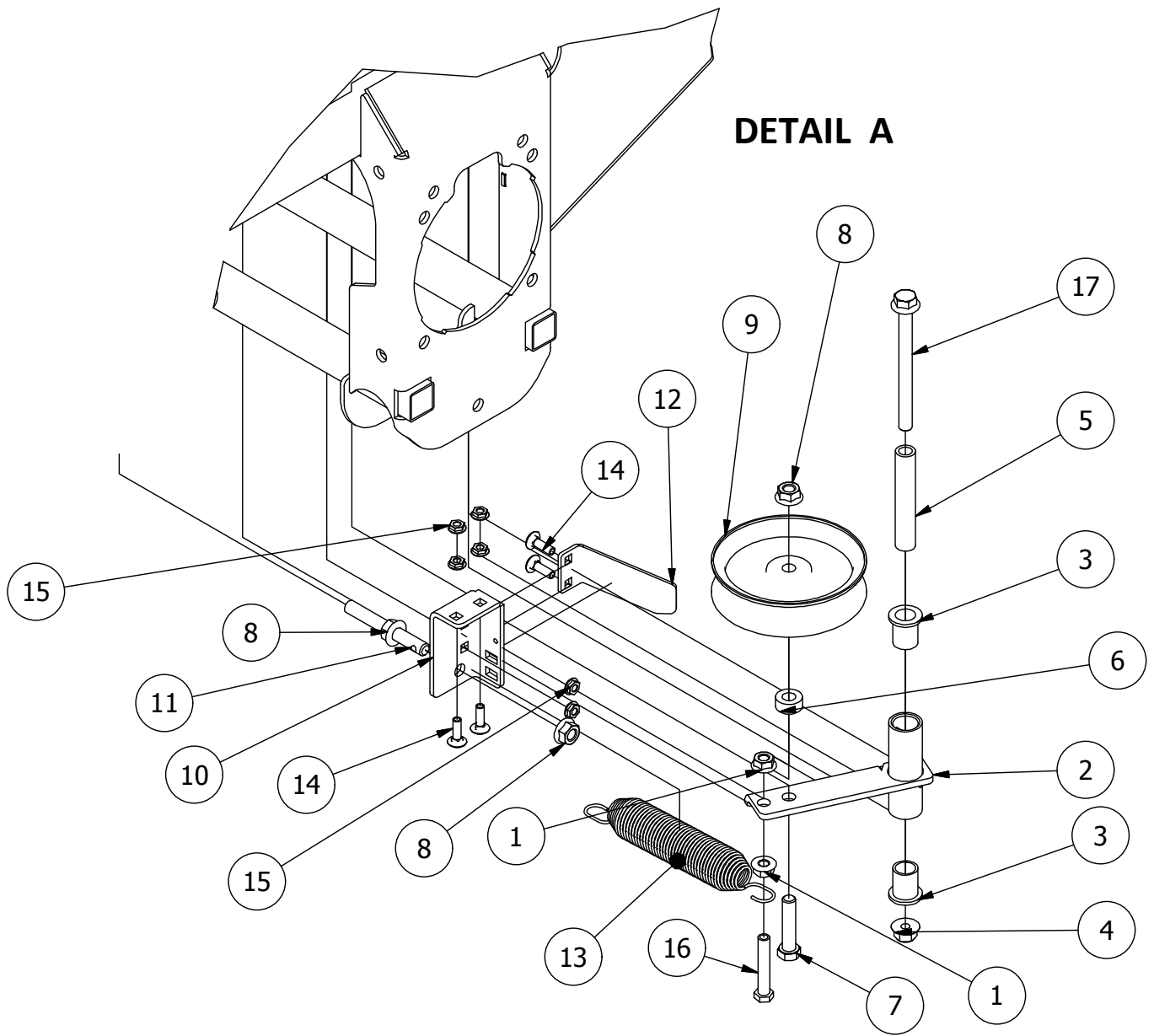
ITEM	QTY	PART NUMBER	DESCRIPTION
1	1	490-0007-00	Mower RT Frame Assembly
2	2	418-0041-00	7/16-14 X 2-1/4 CARRIAGE BOLT ZINC
3	2	487-0004-00	Seat Suspension Elastomer GBR-7
4	2	418-0039-00	1/4-20 X 1 BUTTON SOCKET C/S
5	2	413-0026-00	1/4-20 NYLON INSERT FLANGE L/NUT ZINC



## DETAIL B



Parts List			
ITEM	QTY	PART NUMBER	DESCRIPTION
1	1	490-0023-00	Mower Seat Base Assembly
2	1	439-0113-00	RZ Mower Seat Brtk
3	4	418-0040-00	3/8-16 X 1 HEX FLANGE BOLT GR 8 ZC YELLOW
4	4	413-0004-00	3/8-16 HEX FLANGE NUT W/SERR ZINC
5	2	410-0010-00	1/2" ID X 5/8" OD X 1/2" LENGTH FLANGE BUSHING
6	2	418-0038-00	1/2 X 1/2 SOCKET SHOULDER BOLT ZC YELLOW
7	4	413-0019-00	5/16-18 NYLON INSERT FLANGE L/NUT ZINC
8	2	413-0029-00	3/8-16 NYLON INSERT FLANGE L/NUT ZC YELLOW
9	4	413-0001-00	7/16-14 HEX FLANGE NUT W/SERR ZINC
10	1	471-0015-00	2019 RT Suspension Seat



Detail A Parts List

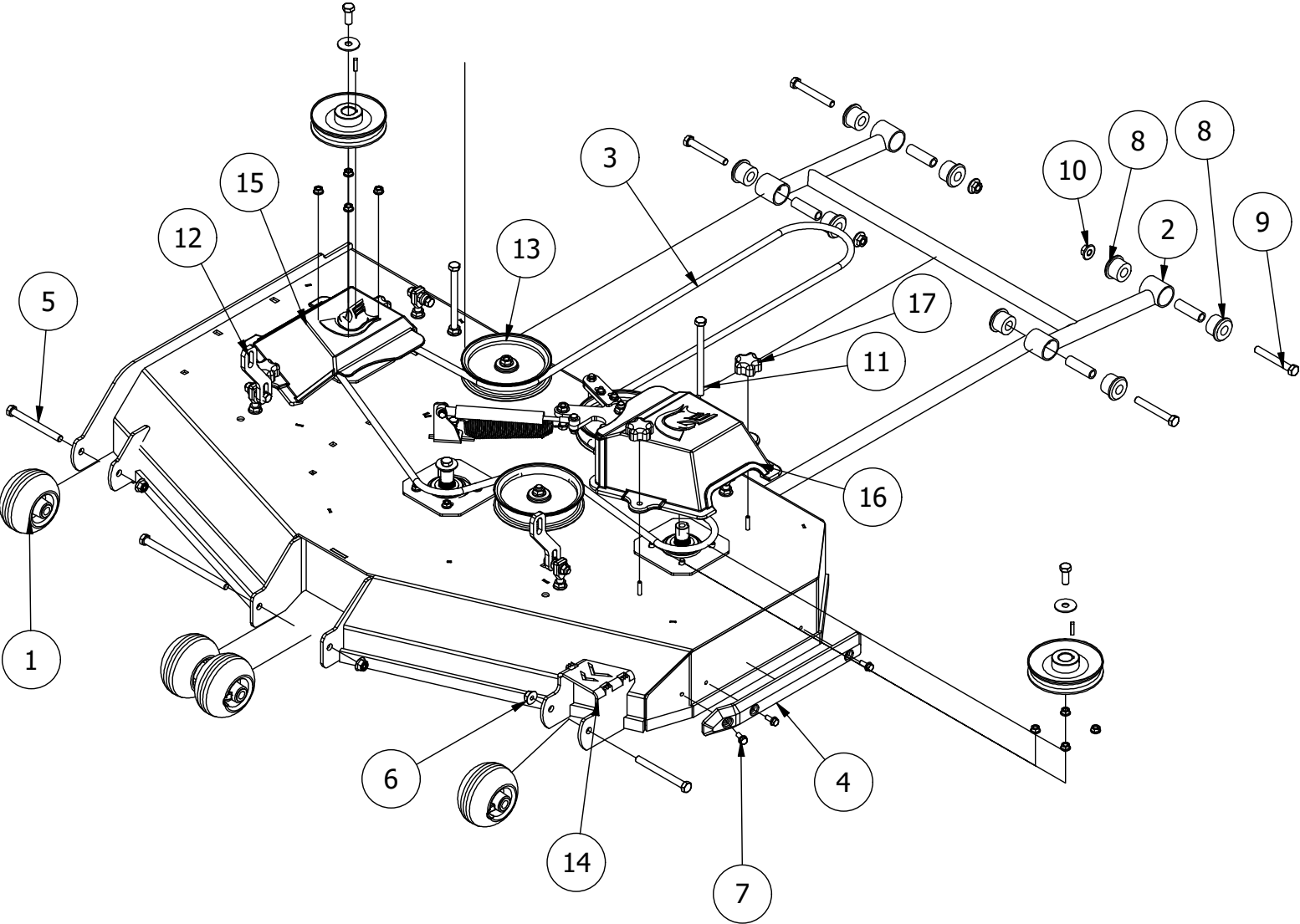
ITEM	QTY	PART NUMBER	DESCRIPTION
1	2	413-0001-00	7/16-14 HEX FLANGE NUT W/SERR ZINC
2	1	490-0018-00	Mower Pump Idler Pulley Arm Assembly
3	2	410-0007-00	3/4" ID X 15/16" OD X 1-1/8" LENGTH FLANGE BUSHING
4	1	413-0002-00	1/2-13 NYLON INSERT FLANGE LOCKNUT ZC YELLOW
5	1	425-0006-00	Mower Inner Idler Spacer
6	1	425-0007-00	Mower IDLER PULLEY SPACER
7	1	418-0012-00	1/2-13 X 2-1/4 HEX C/S GR 5 ZINC
8	3	413-0010-00	1/2-13 HEX FLANGE NUT W/SERR ZINC
9	1	433-0006-00	Mower 5-3/4" Idler Pulley
10	1	439-0244-00	Deck Idler Puller Tensioning Bracket
11	1	430-0001-00	Mower Pump Spring Tensioner
12	1	439-0132-00	RT/SRT Clutch Anti-rotation Brkt
13	1	434-0005-00	Deck/pump idler spring
14	4	418-0010-00	5/16-18 X 1 CARRIAGE BOLT ZINC
15	6	413-0006-00	5/16-18 HEX FLANGE NUT W/SERR ZINC
16	1	418-0013-00	7/16-14 X 2-1/2 HEX C/S GR 5 ZINC
17	1	418-0009-00	1/2-13 X 5-1/2 HEX FLANGE BOLT GR 8 ZY



Parts List

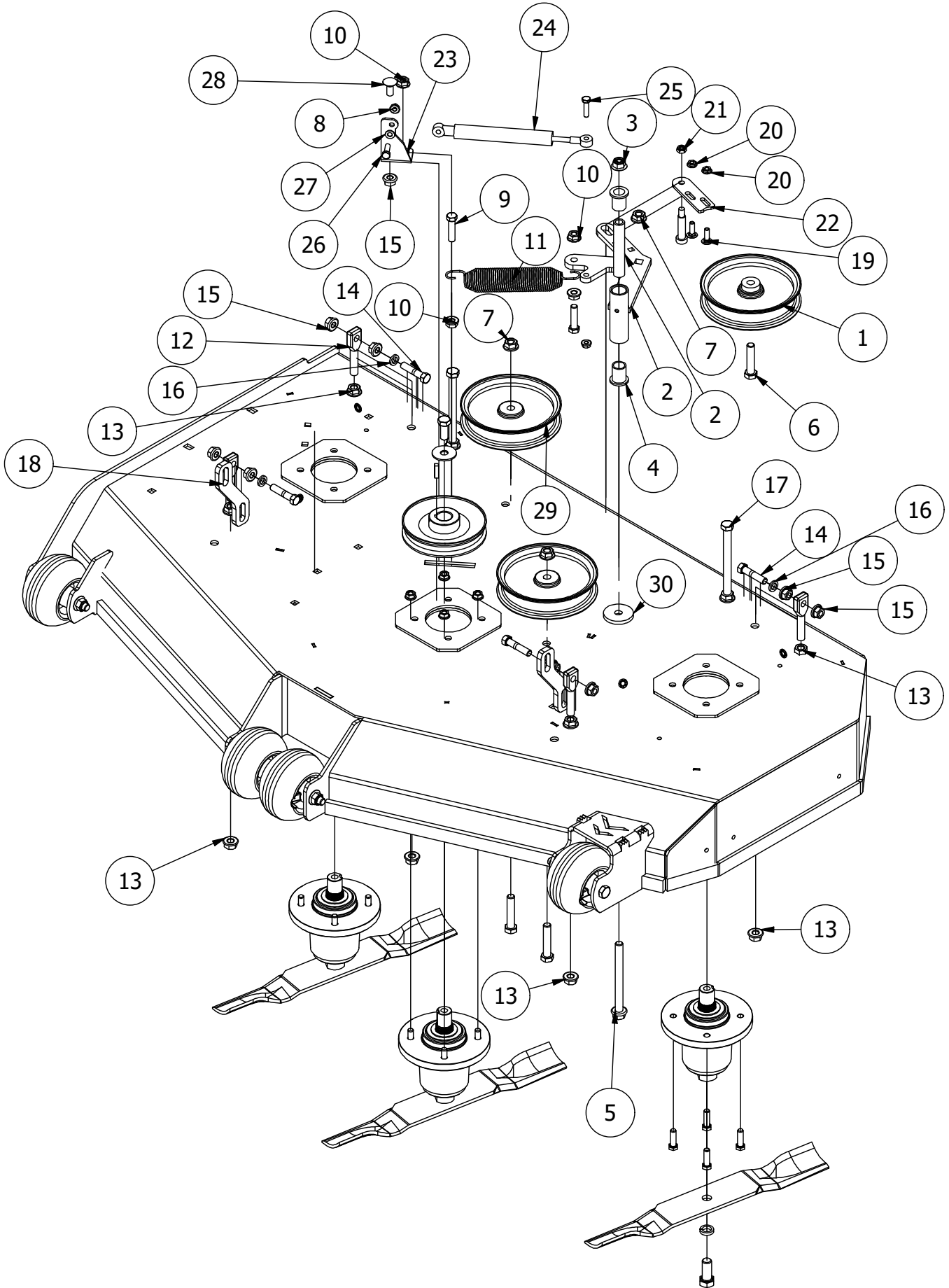
ITEM	QTY	PART NUMBER	DESCRIPTION
1	1	490-0007-00	Mower RT Frame Assembly
2	2	413-0006-00	5/16-18 HEX FLANGE NUT W/SERR ZINC
3	1	467-0001-00	Gas Tank
4	1	467-0002-00	Console
5	1	439-0022-00	Mower Control Panel Bracket
6	6	418-0055-00	10-24 X 1/2 SOCKET C/S 18-8 SS
7	6	419-0011-00	#10 SPLIT LOCKWASHER 18-8 SS
8	2	413-0008-00	10-24 NYLON INSERT LOCKNUT 18-8 SS
9	1	486-0004-00	Mower Control Console, Carbureted Engine
10	1	677-2075-00	12 Volt Auxilliary Plug
11	8	418-0054-00	5/16-18 X 3/4 HEX C/S ZINC
12	8	419-0007-00	1/2 USS FLAT WASHER ZINC
13	8	419-0009-00	5/16 SPLIT LOCKWASHER ZINC
14	1	467-0008-00	Tank Fill Neck Non-Venting Cap
15	1	464-0001-00	Mower Throttle Cable Assembly w / Handle
16	1	439-0064-00	Mower Engine Cowling
17	2	439-0006-00	Mower Muffler Guard
18	4	413-0013-00	3/8-16 NYLON INSERT FLANGE LOCKNUT ZINC
19	2	418-0008-00	5/16-18 X 3/4 CARRIAGE BOLT ZINC
20	4	418-0018-00	3/8-16 X 4 CARRIAGE BOLT ZINC
21	1	486-0010-00	Mower B&S Vanguard 32hp/36hp Harness
22	1	751-1014-00	1/4 Fuel Line - Low Perm
23	1	451-0002-00	vapor vent line tube
24	4	472-0003-00	1/4 Spring Hose Clamp

# 54" Deck Assembly 1



PARTS LIST			
ITEM	QTY	PART NUMBER	DESCRIPTION
1	4	422-0001-00	Anti-Scalp Wheel
2	1	490-0014-00	Mower 54"/61" Deck Frame Stabilizer Assembly
3	1	461-0001-00	54" Mower Deck Belt, HB x 153.5" Effective Length
4	1	429-0001-00	Mower Nylon Deck Guard
5	2	418-0016-00	1/2-13 X 5 HEX C/S GR 2 ZINC YELLOW
6	4	413-0002-00	1/2-13 NYLON INSERT FLANGE LOCKNUT ZC YELLOW
7	3	418-0049-00	5/16-18 X 3/4 IND HWH TRI LOB ZINC
8	8	732-2000-00	Large MTV A-Arm Bushing
9	4	418-0021-00	1/2-13 X 3-3/4 HEX C/S GR 5 ZINC
10	4	413-0017-00	1/2-13 NYLON INSERT FLANGE LOCKNUT ZINC W/SERRATIONS
11	2	418-0044-00	1/2-13 X 6-1/2 HEX C/S GR 8 ZINC YELLOW
12	2	435-0010-00	Mower 54" Deck Front Height Arm Connecting Link
13	2	433-0015-00	6-3/4" Idler Pulley, 15/16" Spacer Assembly
14	1	490-0063-00	2020 54" RT/SRT Deck Assembly
15	1	414-0019-00	48" & 54" Deck Right Pulley Cover
16	1	414-0018-00	48" & 54" Deck Left Pulley Cover
17	4	445-0003-00	Lobed Knob w/ 5/16"-18 insert

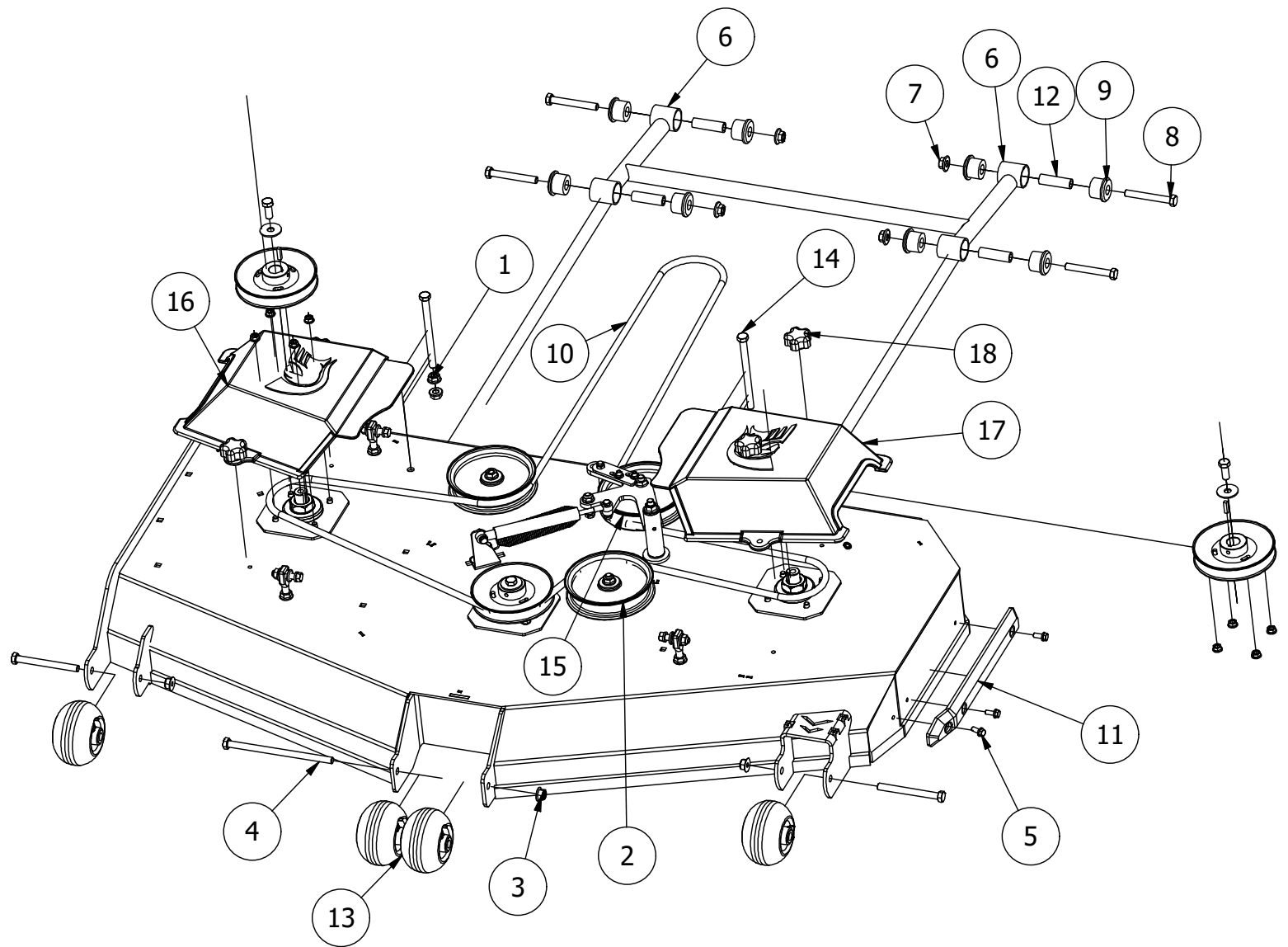
# 54" Deck Assembly 2



PARTS LIST			
ITEM	QTY	PART NUMBER	DESCRIPTION
1	1	433-0014-00	6-3/4" Idler Pulley, 15/16" Spacer Assembly
2	1	490-0019-00	Mower Deck Idler Pulley Arm Assembly
3	4	413-0002-00	1/2-13 NYLON INSERT FLANGE LOCKNUT ZC YELLOW
4	2	410-0007-00	3/4" ID X 15/16" OD X 1-1/8" LENGTH FLANGE BUSHING
5	1	418-0009-00	1/2-13 X 5-1/2 HEX FLANGE BOLT GR 8 ZY
6	1	418-0012-00	1/2-13 X 2-1/4 HEX C/S GR 5 ZINC
7	3	413-0010-00	1/2-13 HEX FLANGE NUT W/SERR ZINC
8	2	413-0027-00	5/16-18 NYLON INSERT FLANGE LOCKNUT ZC YELLOW
9	2	418-0011-00	7/16-14 X 1-3/4 HEX C/S GR 2 ZINC (NOT A/T)
10	4	413-0001-00	7/16-14 HEX FLANGE NUT W/SERR ZINC
11	1	434-0005-00	Deck/pump idler spring
12	4	448-0001-00	Mowre Deck height adjustment Stud
13	12	413-0005-00	1/2-13 HEX FLANGE NUT W/SERR ZINC YELLOW
14	4	418-0046-00	7/16-14 X 2 HEX C/S GR 5 ZINC YELLOW
15	9	413-0011-00	7/16-14 HEX FLANGE NUT W/SERR ZINC YELLOW
16	4	419-0010-00	.443 ID X .750 OD X .125 THK NYLON BLACK
17	2	418-0044-00	1/2-13 X 6-1/2 HEX C/S GR 8 ZINC YELLOW
18	2	435-0010-00	Mower 54" Deck Front Height Arm Connecting Link
19	2	418-0010-00	5/16-18 X 1 CARRIAGE BOLT ZC/YEL
20	2	413-0006-00	5/16-18 HEX FLANGE NUT W/SERR ZINC
21	1	613-2004-00	3/8"-16 Nyloc Jam Nut
22	1	439-0257-00	Deck Idler Pulley Belt Retainer Brkt
23	1	439-0335-00	Deck Belt Idler Damper Mounting Bracket
24	1	434-0009-00	Idler Gas Spring
25	1	418-0109-00	5/16- 18 x 1 1/4 Hex C/S (GR.8) ZC/Yel
26	1	418-0108-00	5/16 x1 Hex C/S (GR8) ZC/Yel
27	1	419-0016-00	5/16" ID X 5/8" OD X 1/16" THK BRONZE WASHER
28	1	418-0017-00	7/16-14 X 1 CARRIAGE BOLT ZINC
29	2	433-0015-00	6-3/4" Idler Pulley, 15/16" Spacer Assembly
30	1	490-0063-00	2020 54" RT/SRT Deck Assembly

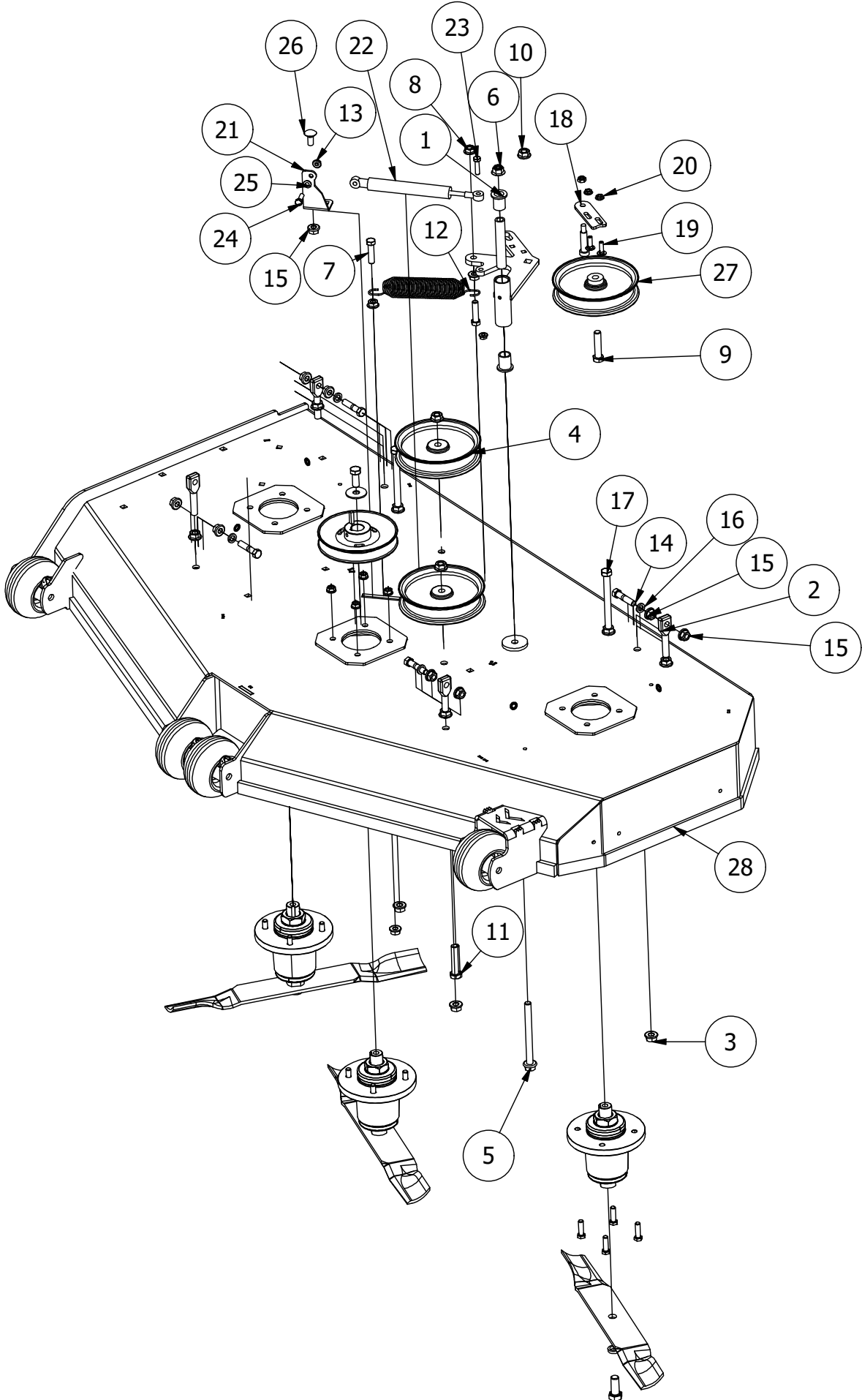


# 61" Deck Assembly 1



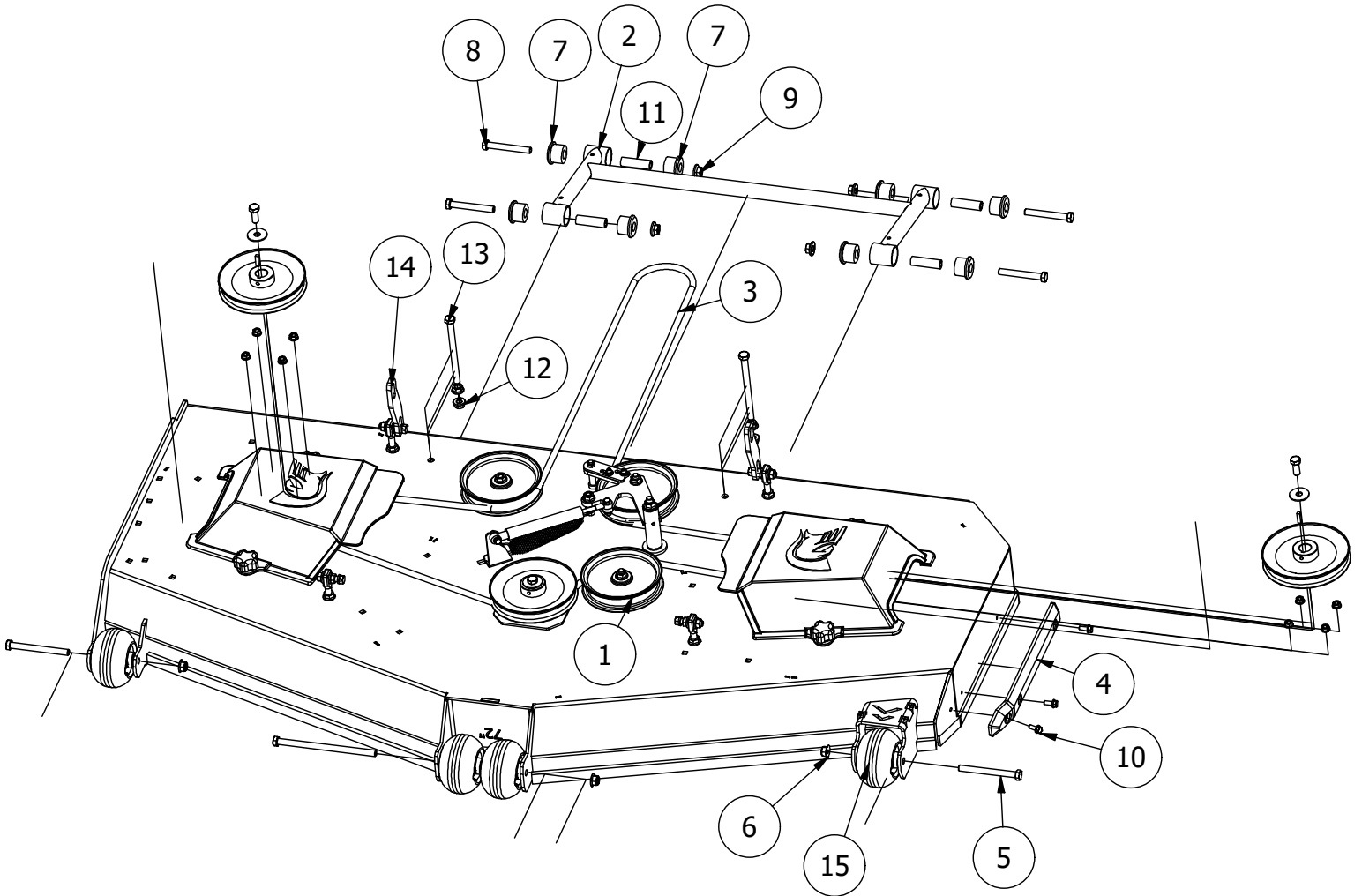
PARTS LIST			
ITEM	QTY	PART NUMBER	DESCRIPTION
1	12	413-0005-00	1/2-13 HEX FLANGE NUT W/SERR ZINC YELLOW
2	2	433-0015-00	6-3/4" Idler Pulley, 15/16" Spacer Assembly
3	4	413-0002-00	1/2-13 NYLON INSERT FLANGE LOCKNUT ZC YELLOW
4	1	418-0015-00	1/2-13 X 8-1/2 HEX C/S GR 2 ZINC YELLOW
5	3	418-0049-00	5/16-18 X 3/4 IND HWH TRI LOB ZINC
6	1	490-0014-00	Mower 54"/61" Deck Frame Stabilizer Assembly
7	4	413-0017-00	1/2-13 NYLON INSERT FLANGE LOCKNUT ZINC W/SERRATIONS
8	4	418-0021-00	1/2-13 X 3-3/4 HEX C/S GR 5 ZINC
9	8	732-2000-00	Large MTV A-Arm Bushing
10	1	461-0002-00	61" Mower Deck Belt, HB x 167.9" Effective Length
11	1	429-0001-00	Mower Nylon Deck Guard
12	4	732-2001-00	Large MTV A-Arm Bushing Sleeve
13	4	422-0001-00	Anti-Scalp Wheel
14	2	418-0044-00	1/2-13 X 6-1/2 HEX C/S GR 8 ZINC YELLOW
15	1	433-0014-00	6-3/4" Idler Pulley, 15/16" Spacer Assembly
16	1	414-0020-00	Right Pulley Cover 61" RZ/RT/SRT, 72" RT/SRT
17	1	414-0021-00	Left Pulley Cover 61" RZ/RT/SRT, 72" RT/SRT
18	4	445-0003-00	Lobed Knob w/ 5/16"-18 insert

# 61" Deck Assembly 2



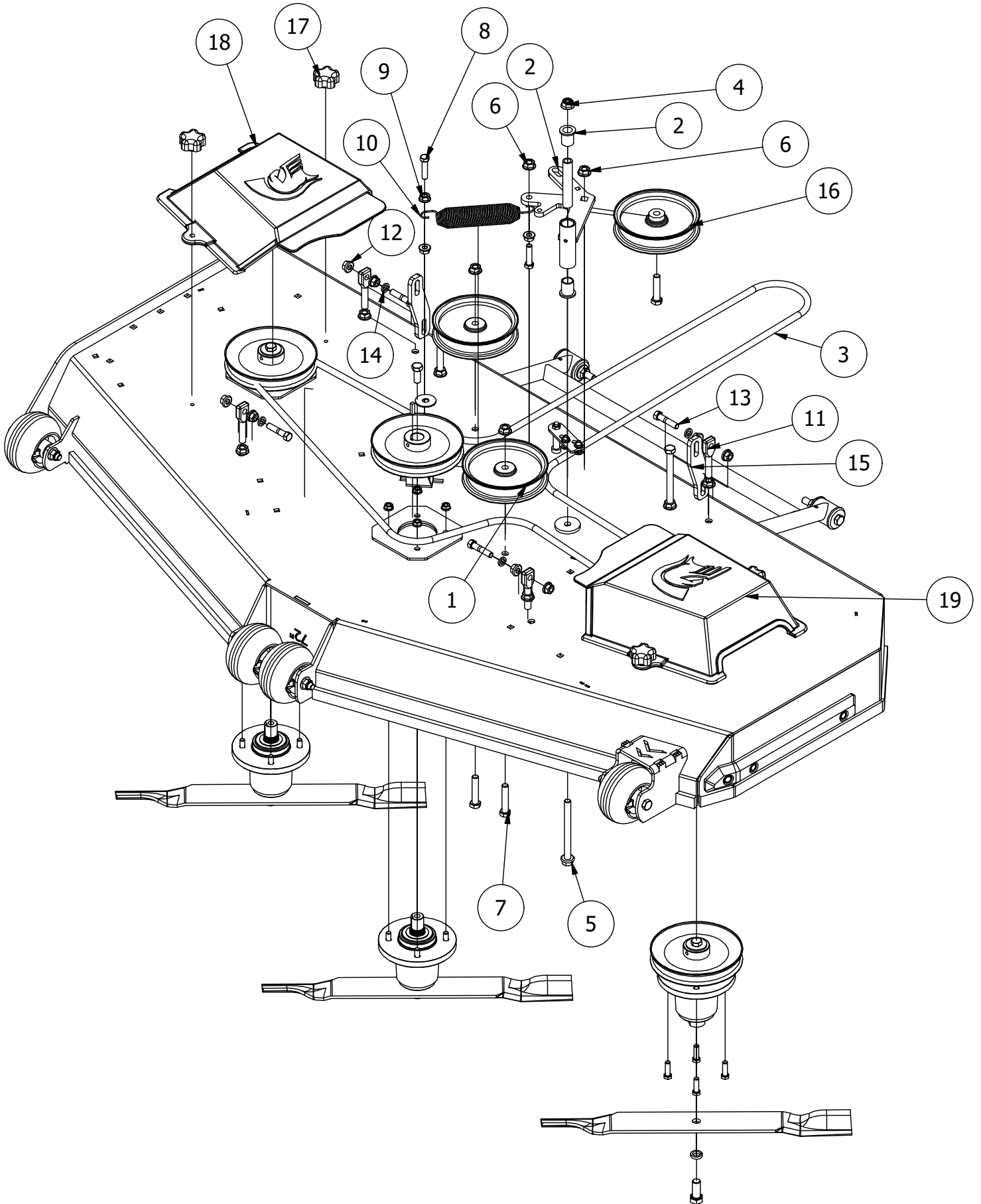
PARTS LIST			
ITEM	QTY	PART NUMBER	DESCRIPTION
1	2	410-0007-00	3/4" ID X 15/16" OD X 1-1/8" LENGTH FLANGE BUSHING
2	4	448-0001-00	Mowre Deck height adjustment Stud
3	12	413-0005-00	1/2-13 HEX FLANGE NUT W/SERR ZINC YELLOW
4	2	433-0015-00	6-3/4" Idler Pulley, 15/16" Spacer Assembly
5	1	418-0009-00	1/2-13 X 5-1/2 HEX FLANGE BOLT GR 8 ZY
6	4	413-0002-00	1/2-13 NYLON INSERT FLANGE LOCKNUT ZC YELLOW
7	2	418-0011-00	7/16-14 X 1-3/4 HEX C/S GR 2 ZINC (NOT A/T)
8	4	413-0001-00	7/16-14 HEX FLANGE NUT W/SERR ZINC
9	1	418-0012-00	1/2-13 X 2-1/4 HEX C/S GR 5 ZINC
10	3	413-0010-00	1/2-13 HEX FLANGE NUT W/SERR ZINC
11	2	418-0014-00	1/2-13 X 2-1/2 HEX FLANGE BOLT GR 8 ZC YELLOW
12	1	434-0005-00	Deck/pump idler spring
13	2	413-0027-00	5/16-18 NYLON INSERT FLANGE LOCKNUT ZC YELLOW
14	4	418-0046-00	7/16-14 X 2 HEX C/S GR 5 ZINC YELLOW
15	9	413-0011-00	7/16-14 HEX FLANGE NUT W/SERR ZINC YELLOW
16	4	419-0010-00	.443 ID X .750 OD X .125 THK NYLON BLACK
17	2	418-0044-00	1/2-13 X 6-1/2 HEX C/S GR 8 ZINC YELLOW
18	1	439-0257-00	Deck Idler Pulley Belt Retainer Brkt
19	2	418-0010-00	5/16-18 X 1 CARRIAGE BOLT ZC/YEL
20	2	413-0006-00	5/16-18 HEX FLANGE NUT W/SERR ZINC
21	1	439-0335-00	Deck Belt Idler Damper Mounting Bracket
22	1	434-0009-00	Idler Gas Spring
23	1	418-0109-00	5/16- 18 x 1 1/4 Hex C/S (GR.8) ZC/Yel
24	1	418-0108-00	5/16 x1 Hex C/S (GR8) ZC/Yel
25	1	419-0016-00	5/16" ID X 5/8" OD X 1/16" THK BRONZE WASHER
26	1	418-0017-00	7/16-14 X 1 CARRIAGE BOLT ZINC
27	1	433-0014-00	6-3/4" Idler Pulley, 15/16" Spacer Assembly
28	1	490-0061-00	2020 61 RT/SRT Deck assembly

# 72" Deck Assembly 1



PARTS LIST			
ITEM	QTY	PART NUMBER	DESCRIPTION
1	2	433-0015-00	6-3/4" Idler Pulley, 15/16" Spacer Assembly
2	1	490-0015-00	Mower 72" Deck Frame Stabilizer Assembly
3	1	461-0003-00	72" Mower Deck Belt, HB x 186.5" Effective Length
4	1	429-0001-00	Mower Nylon Deck Guard
5	2	418-0016-00	1/2-13 X 5 HEX C/S GR 2 ZINC YELLOW
6	4	413-0002-00	1/2-13 NYLON INSERT FLANGE LOCKNUT ZC YELLOW
7	8	732-2000-00	Large MTV A-Arm Bushing
8	4	418-0021-00	1/2-13 X 3-3/4 HEX C/S GR 5 ZINC
9	4	413-0017-00	1/2-13 NYLON INSERT FLANGE LOCKNUT ZINC W/SERRATIONS
10	3	418-0049-00	5/16-18 X 3/4 IND HWH TRI LOB ZINC
11	4	732-2001-00	Large MTV A-Arm Bushing Sleeve
12	12	413-0005-00	1/2-13 HEX FLANGE NUT W/SERR ZINC YELLOW
13	2	418-0044-00	1/2-13 X 6-1/2 HEX C/S GR 8 ZINC YELLOW
14	2	435-0011-00	Mower 72" Deck Rear Height Arm Connecting Link
15	4	422-0001-00	Anti-Scalp Wheel

# 72" Deck Assembly 2

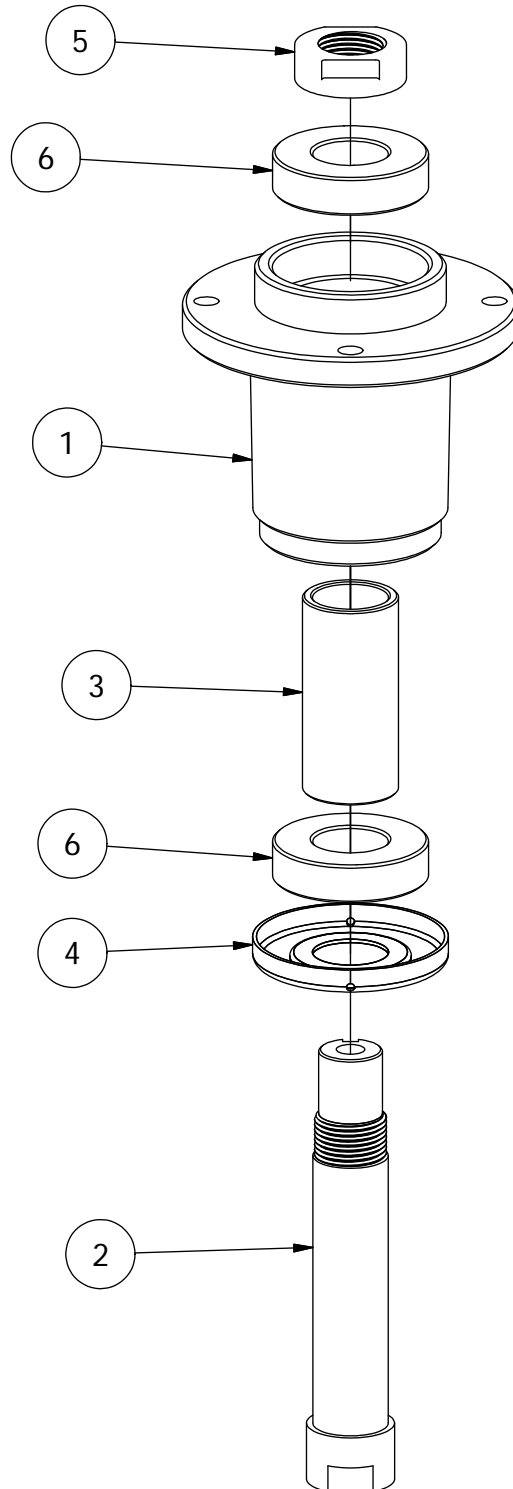


PARTS LIST			
ITEM	QTY	PART NUMBER	DESCRIPTION
1	2	433-0015-00	6-3/4" Idler Pulley, 15/16" Spacer Assembly
2	1	490-0019-00	Mower Deck Idler Pulley Arm Assembly
3	1	461-0003-00	72" Mower Deck Belt, HB x 186.5" Effective Length
4	4	413-0002-00	1/2-13 NYLON INSERT FLANGE LOCKNUT ZC YELLOW
5	1	418-0009-00	1/2-13 X 5-1/2 HEX FLANGE BOLT GR 8 ZY
6	4	413-0010-00	1/2-13 HEX FLANGE NUT W/SERR ZINC
7	2	418-0014-00	1/2-13 X 2-1/2 HEX FLANGE BOLT GR 8 ZC YELLOW
8	2	418-0011-00	7/16-14 X 1-3/4 HEX C/S GR 2 ZINC (NOT A/T)
9	3	413-0001-00	7/16-14 HEX FLANGE NUT W/SERR ZINC
10	1	434-0005-00	Deck/pump idler spring
11	4	448-0001-00	Mowre Deck height adjustment Stud
12	9	413-0011-00	7/16-14 HEX FLANGE NUT W/SERR ZINC YELLOW
13	4	418-0046-00	7/16-14 X 2 HEX C/S GR 5 ZINC YELLOW
14	4	419-0010-00	.443 ID X .750 OD X .125 THK NYLON BLACK
15	2	435-0011-00	Mower 72" Deck Rear Height Arm Connecting Link
16	1	433-0014-00	6-3/4" Idler Pulley, 15/16" Spacer Assembly
17	4	445-0003-00	Lobed Knob w/ 5/16"-18 insert
18	1	414-0020-00	Right Pulley Cover 61" RZ/RT/SRT, 72" RT/SRT
19	1	414-0021-00	Left Pulley Cover 61" RZ/RT/SRT, 72" RT/SRT

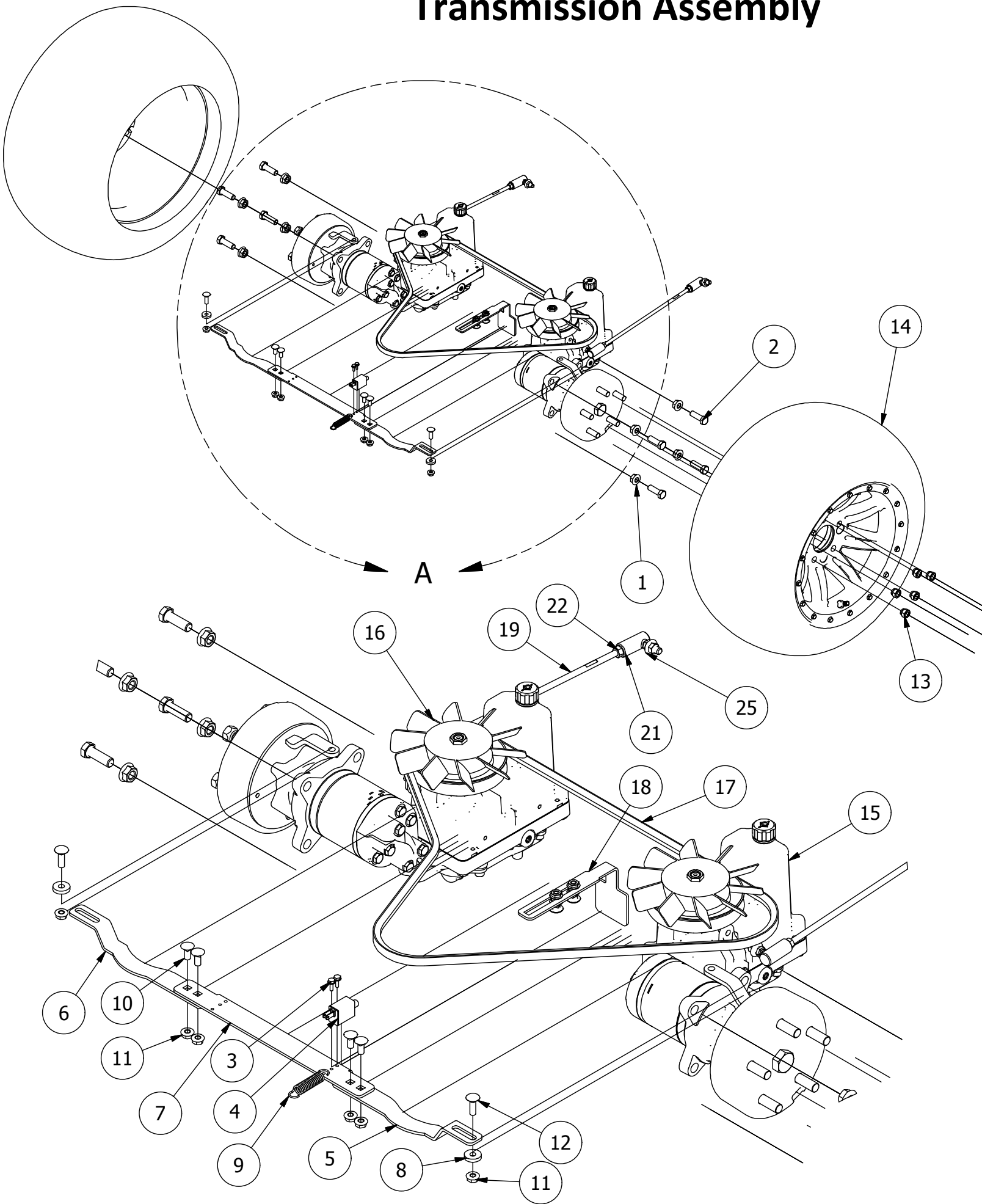


RT (2 Bearing) Deck Spindle Assembly 437-0004-00

ITEM	QTY	PART NUMBER	DESCRIPTION
1	1	437-0015-00	Mower Deck Spindle Casting for 437-0004-00
2	1	437-0010-00	Deck Spindle Shaft For 437-0004-00 and 437-0005-00
3	1	437-0011-00	Deck Spindle Spacer for 437-0004-00
4	1	437-0014-00	Mower Deck Spindle Dust Cup
5	1	437-0013-00	Mower Deck Spindle Nut for 437-0004-00 and 437-0005-00
6	2	410-0003-00	Spindle Bearing



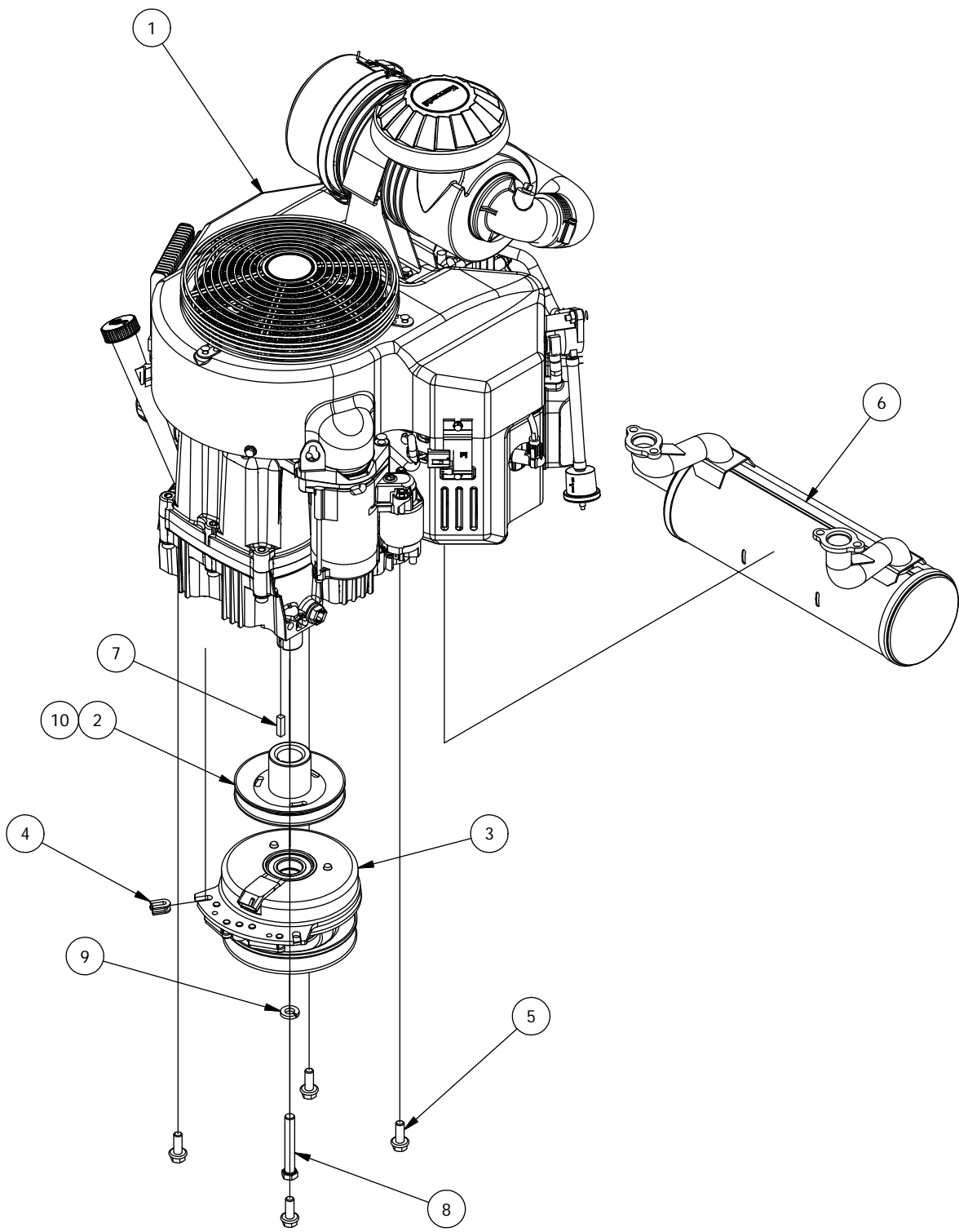
# Transmission Assembly



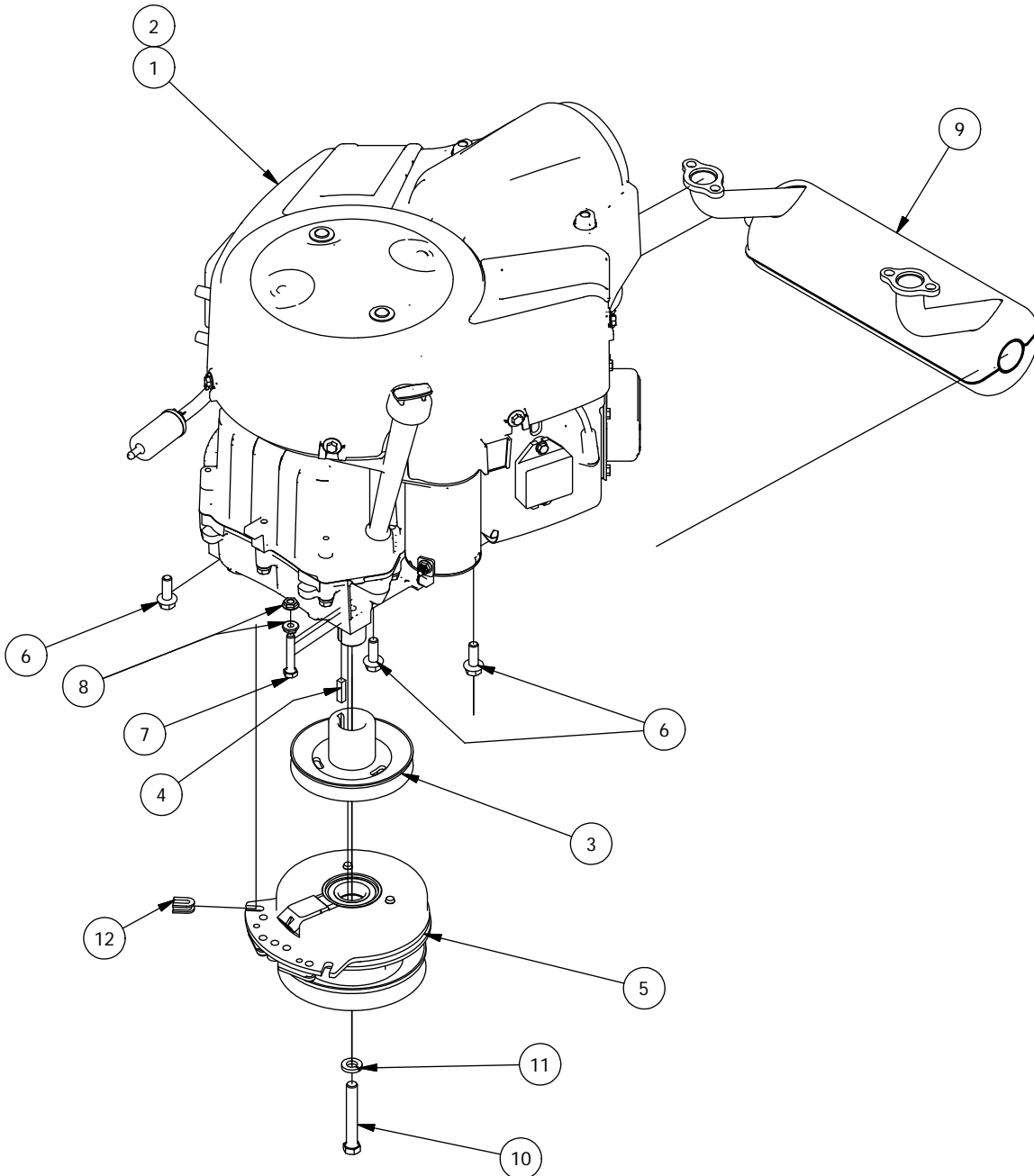
DETAIL A

Parts List			
ITEM	QTY	PART NUMBER	DESCRIPTION
1	8	413-0010-00	1/2-13 HEX FLANGE NUT W/SERR ZINC
2	8	418-0020-00	1/2-13 X 1-1/2 HEX C/S GR 5 ZINC
3	2	418-0032-00	8-32 X 1/2 IND. HWH SLOT TYPE F TCS ZINC
4	1	486-0030-00	Safety Switch
5	1	439-0083-00	Mower Park Brake Right Actuation Bracket
6	1	439-0082-00	Mower Park Brake Left Actuation
7	1	439-0079-00	Mower Park Brake Center Bracket
8	2	419-0006-00	.312 ID X .875 OD X .1875 THK F/W NYLON BLK
9	1	434-0003-00	Brake Pedal Release Spring
10	4	418-0008-00	5/16-18 X 3/4 CARRIAGE BOLT ZINC
11	6	413-0019-00	5/16-18 NYLON INSERT FLANGE L/NUT ZINC
12	4	418-0010-00	5/16-18 X 1 CARRIAGE BOLT ZINC
13	10	413-0015-00	1/2-20 WHEEL NUT 60 DEGREE GR 5 ZINC
14	2	422-0005-00	Mower 24x14x12 Rear Tire/Wheel Assembly
15	1	450-0002-00	HTE Parker Hydrostatic Transmission Right
16	1	450-0001-00	HTE Parker Hydrostatic Transmission Left
17	1	461-0004-00	Mower A Pump Belt, A x 68.25" Effective Length
18	1	439-0066-00	Mower Standard Transmission Brake Interlock Bracket
19	2	435-0002-00	Transmission Drive Arm Rod Standard Transmission
20	2	410-0001-00	Control Arm Rod End, Right
21	2	410-0002-00	Control Arm Rod End, Left
22	2	413-0003-00	5/16 Hex Nut Left hand thread

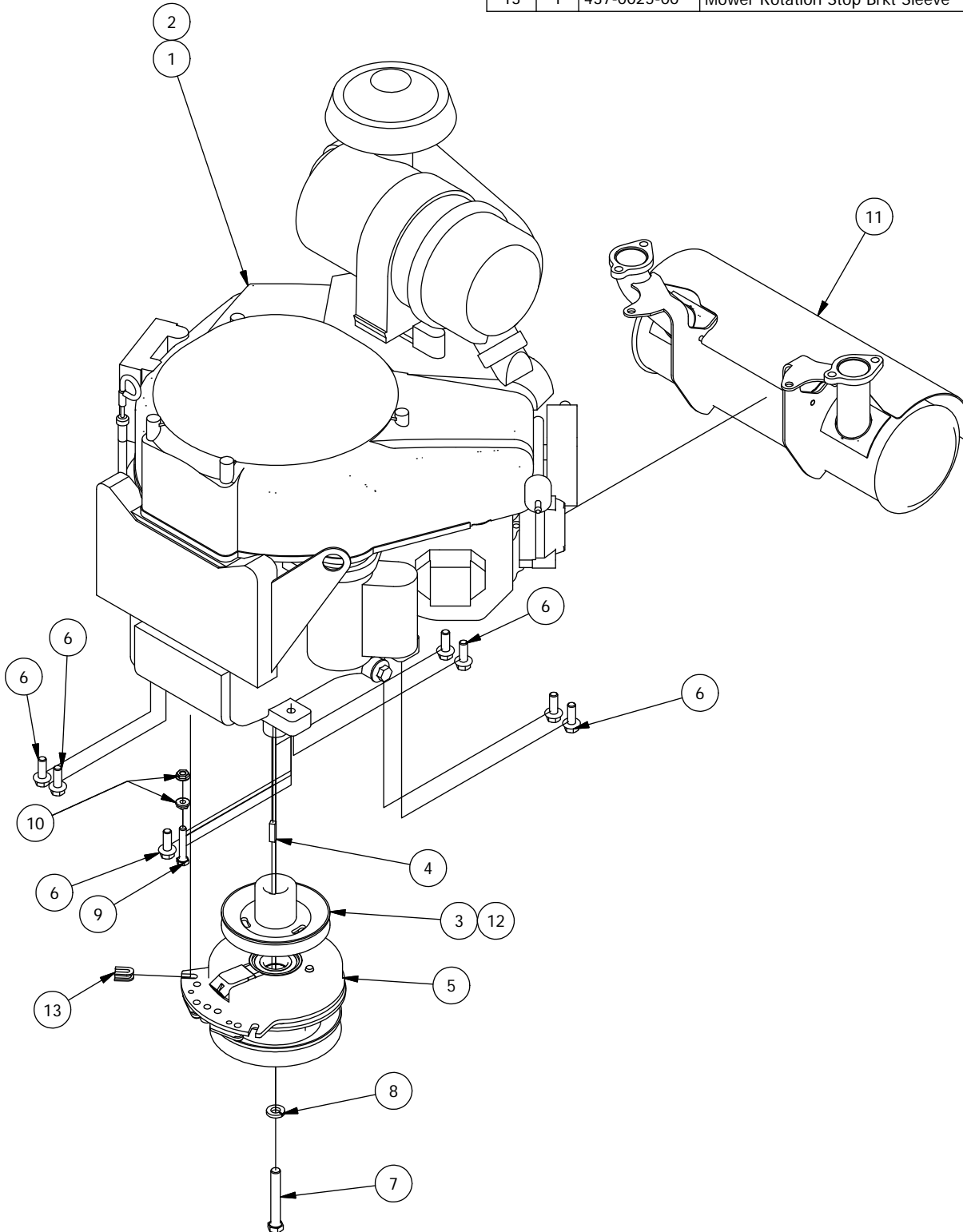
Kawasaki FX 850cc Engine assembly			
ITEM	QTY	PART NUMBER	DESCRIPTION
1	1	415-0020-00	FX 850cc Engine For RT/SRT
2	1	433-0001-00	Drive Pulley, A Belt
3	1	470-0002-00	PTO Clutch
4	1	437-0025-00	Mower Rotation Stop Brkt Sleeve
5	4	418-0023-00	3/8-16 X 1-1/8 IND HWH W/SERR TRI LOB ZY
6	1	415-0065-00	Exhaust System Kawasaki FX 850cc engine
7	1	442-0001-00	1/4 X 1 SQUARE KEY STOCK
8	1	418-0022-00	7/16-20 X 3 HEX C/S GR 8 ZC YELLOW
9	1	419-0005-00	7/16 SPLIT LOCKWASHER GR 8 ZC YELLOW
10	1	433-0002-00	Drive Pulley, B Belt (Only with HTG16 Transmissions)



ITEM	QTY	PART NUMBER	DESCRIPTION
1	1	415-0007-00	B&S 810CC, 27 HP Commercial Series Engine
2	1	415-0006-00	B&S 724CC, 25 HP Commercial Engine
3	1	433-0001-00	Drive Pulley, A Belt
4	1	442-0001-00	1/4 X 1 SQUARE KEY STOCK
5	1	470-0002-00	PTO Clutch
6	3	418-0023-00	3/8-16 X 1-1/8 IND HWH W/SERR TRI LOB ZY
7	1	418-0024-00	5/16-18 X 1-3/4 HEX C/S GR 5 ZINC
8	2	413-0006-00	5/16-18 HEX FLANGE NUT W/SERR ZINC
9	1	415-0052-00	B&S 27 HP&25HP Exhaust
10	1	418-0022-00	7/16-20 X 3 HEX C/S GR 8 ZC YELLOW
11	1	419-0005-00	7/16 SPLIT LOCKWASHER GR 8 ZC YELLOW
12	1	437-0025-00	Mower Rotation Stop Brkt Sleeve



B&S 32 HP/36HP Vanguard Series Engine			
ITEM	QTY	PART NUMBER	DESCRIPTION
1	1	415-0009-00	B&S 993CC, 36 HP Vanguard Series Engine
2	1	415-0008-00	B&S 896CC, 32 HP Vanguard Series Engine
3	1	433-0001-00	Drive Pulley, A Belt
4	1	442-0001-00	1/4 X 1 SQUARE KEY STOCK
5	1	470-0002-00	PTO Clutch
6	7	418-0023-00	3/8-16 X 1-1/8 IND HWH W/SERR TRI LOB ZY
7	1	418-0022-00	7/16-20 X 3 HEX C/S GR 8 ZC YELLOW
8	1	419-0005-00	7/16 SPLIT LOCKWASHER GR 8 ZC YELLOW
9	1	418-0024-00	5/16-18 X 1-3/4 HEX C/S GR 5 ZINC
10	2	413-0006-00	5/16-18 HEX FLANGE NUT W/SERR ZINC
11	1	415-0051-00	B&S 32 HP/36HP Vanguard Series Engine Exhaust
12	1	433-0002-00	Drive Pulley, B Belt (Only with HTG16 Transmissions)
13	1	437-0025-00	Mower Rotation Stop Brkt Sleeve



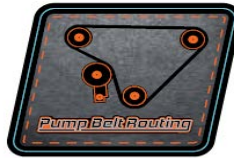
491-0001-00

Spartan Logo/Warning Label Cluster



491-0003-00

Belt Routing Decal Cluster



491-0036-00

Spartan Front Decal



491-0036-00

Spartan Back Decal



491-0039-00

Scale Decal



491-0002-00

Spartan Step



491-0030-00

Spartan XTF-54 Decal



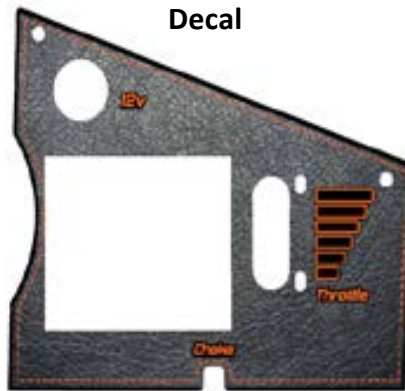
491-0031-00

Spartan XTF-61 Decal



491-0004-00

Spartan Carbureted Console Decal



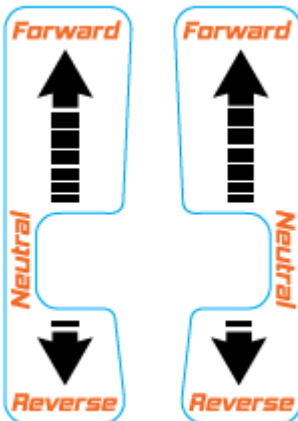
491-0004-00

Spartan EFI Console Decal



491-0033-00

Spartan Drive Arm



491-0034-00

Fuel Tank Decals



491-0034-00